



# Corner Cleats & Mullion Connectors

A wide variety of aluminium die-casted and extruded corner cleats and mullion connectors/ T-joints for standard applications - with customization flexibility for both.



## Range

1. Corner Cleats
2. Shutter Alignment Corners
3. Transom Mullion Connectors

KCJ-02 | Corner Cleat



**FUNCTION**

Die-cast aluminium corner cleat with external spring-loaded buttons provides quick click-on assembling of aluminium frames with 45° cutting profiles ends.

**FINISH**

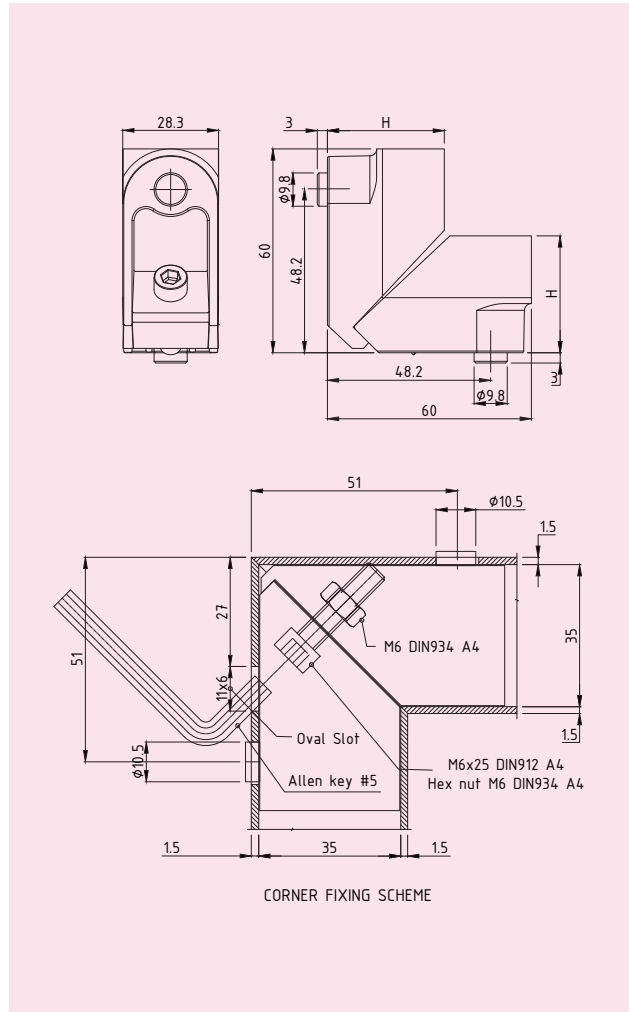
Natural

**PARTS WITH MATERIAL SPECIFICATION**

Die-cast aluminium body, 2 parts;  
 Aluminium buttons;  
 Stainless Steel springs;  
 Galvanized steel spring covers;  
 Hex socket cap head screw M6x25 DIN912 A4-1 nos.  
 Hex nut M6 DIN934 A4-1 nos.

**TECHNICAL FEATURES**

- Die-cast aluminium corner cleat with external spring-loaded buttons (Ø9.8 mm) designed for quick and secure aluminium frames corner assembling.
- Fixation processed by click-on fixation of the spring-loaded buttons on provided Ø10.5 mm holes in aluminium profiles and tightening of the socket button head screw using hex Allen key #5.
- Applicable profile camera dimensions 35.0x29.2 mm.



Item Code	Size (mm)	H (mm)	Profile camera dimensions (mm)
KCJ-02	34.5 X 28.3	34.5	35.0 x 29.0
KCJ-02-V1	21.5 X 28.3	21.5	22.0 x 29.0
KCJ-02-V2	31.5 X 28.3	31.5	32.0 x 29.0
KCJ-02-V3	30.5 X 28.3	30.5	31.0 x 29.0
KCJ-02-V4	33.0 X 28.3	33.0	33.0 x 28.3
KCJ-02-V5	25.5 X 28.3	25.5	25.5 x 28.3
KCJ-02-V4-SP1 (with spacer)	34.5 X 28.3	34.5	35.0 x 29.0

Packaging: 250 pcs/box

## Corner Cleats & Mullion Connectors >> Corner Cleats

### KCJ-04, KCJ-08, KCJ-09, KCJ-13 | Corner Cleat



#### FUNCTION

Die-cast aluminium corner cleat with external spring-loaded buttons provides quick click-on assembling of aluminium frames with 45° cutting profiles ends.

#### FINISH

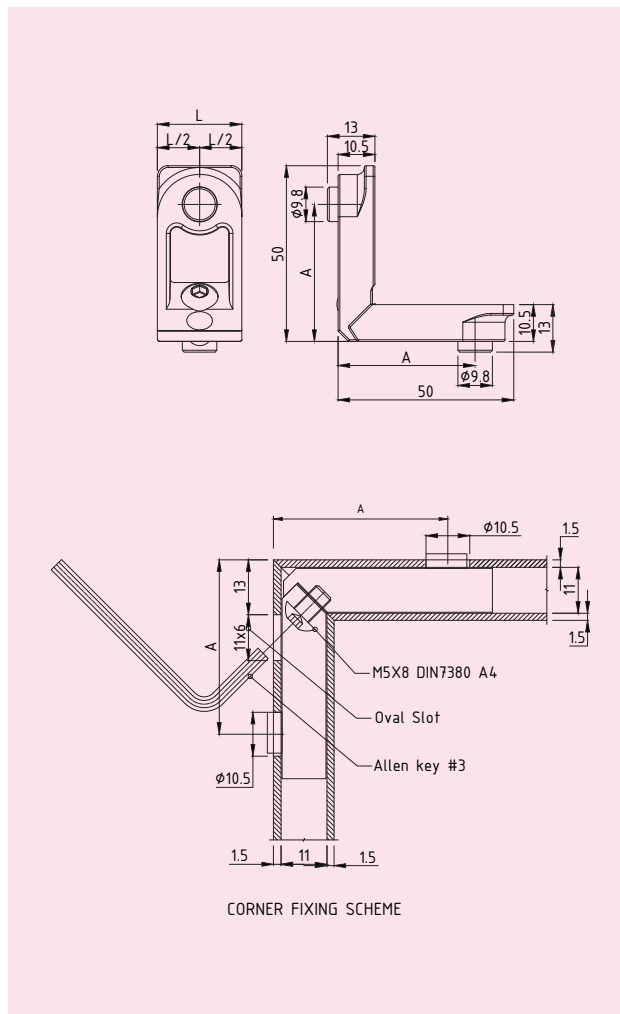
Natural

#### PARTS WITH MATERIAL SPECIFICATION

Die-cast aluminium body, 2 parts;  
 Aluminium buttons;  
 Stainless Steel springs;  
 Galvanized steel spring covers;  
 Hex socket cap head screw M6x25 DIN912 -1 nos.

#### TECHNICAL FEATURES

- Die-cast aluminium corner cleat with external spring-loaded buttons (Ø9.8 mm) designed for quick and secure aluminium frames corner assembling.
- Fixation processed by click-on fixation of the spring-loaded buttons on provided Ø10.5 mm holes in aluminium profiles and tightening of the socket button head screw using hex Allen key #3.



Code	L (mm)	A (mm)	Size (mm)	Profile Camera Dimensions (mm)
KCJ-04	24.0	39.0	10.5 X 24.0	11.0 X 24.5
KCJ-08	19.0	37.5	10.5 X 19.0	11.0 X 19.5
KCJ-09	21.5	37.5	10.5 X 21.5	11.0 X 22.0
KCJ-13	28.5	41.0	10.5 X 28.5	11.0 X 29.0

Packaging: 250 pcs/box

KCJ-11 | Corner Cleat



**FUNCTION**

Die-cast aluminium corner cleat with external spring-loaded buttons provides quick click-on assembling of aluminium frames with 45° cutting profiles ends.

**FINISH**

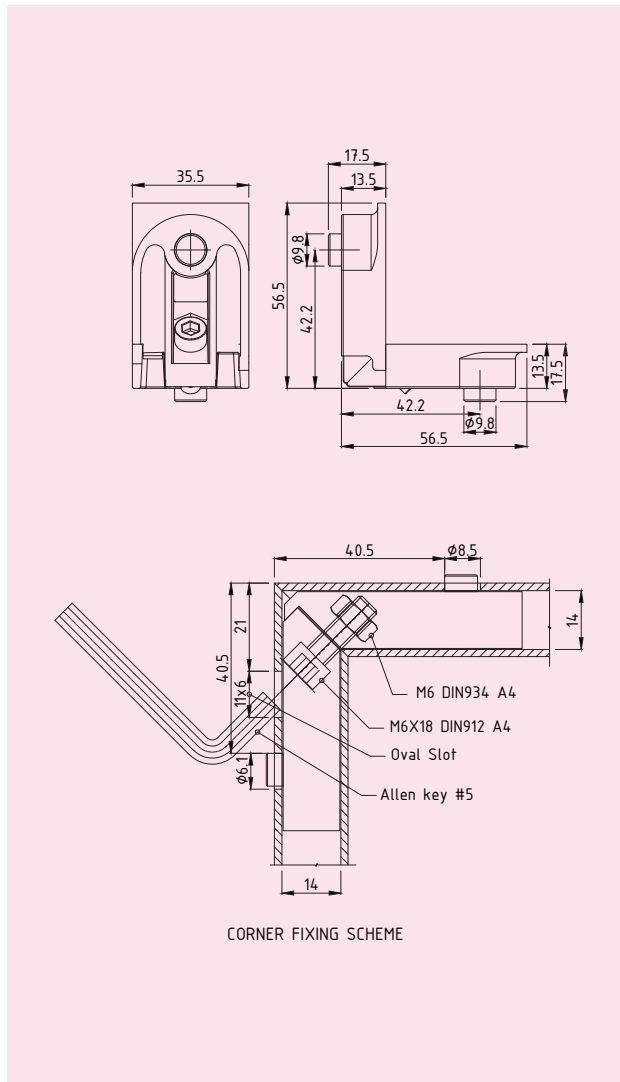
Natural

**PARTS WITH MATERIAL SPECIFICATION**

Die-cast aluminium Body, 2 parts;  
 Aluminium buttons;  
 Stainless steel springs;  
 Galvanized steel spring covers;  
 Hex socket cap head screw M6x20 DIN912 A4-1 nos.  
 Hex nut M6 DIN934 A4-1 nos.

**TECHNICAL FEATURES**

- Die-cast aluminium corner cleat with external spring-loaded buttons (Ø9.8 mm) designed for quick and secure aluminium frames corner assembling.
- Fixation processed by click-on fixation of the spring-loaded buttons on provided Ø10.5 mm holes in aluminium profiles and tightening of the hex socket cap head screw through oval slot using hex Allen key #5.
- Applicable profile camera dimensions 14.0x36.0 mm.



CORNER FIXING SCHEME

Packaging: 250 pcs/box

KCJ-12 | Corner Cleat



**FUNCTION**

Die-cast aluminium corner cleat with external spring-loaded buttons provides quick click-on assembling of aluminium frames with 45° cutting profiles ends.

**FINISH**

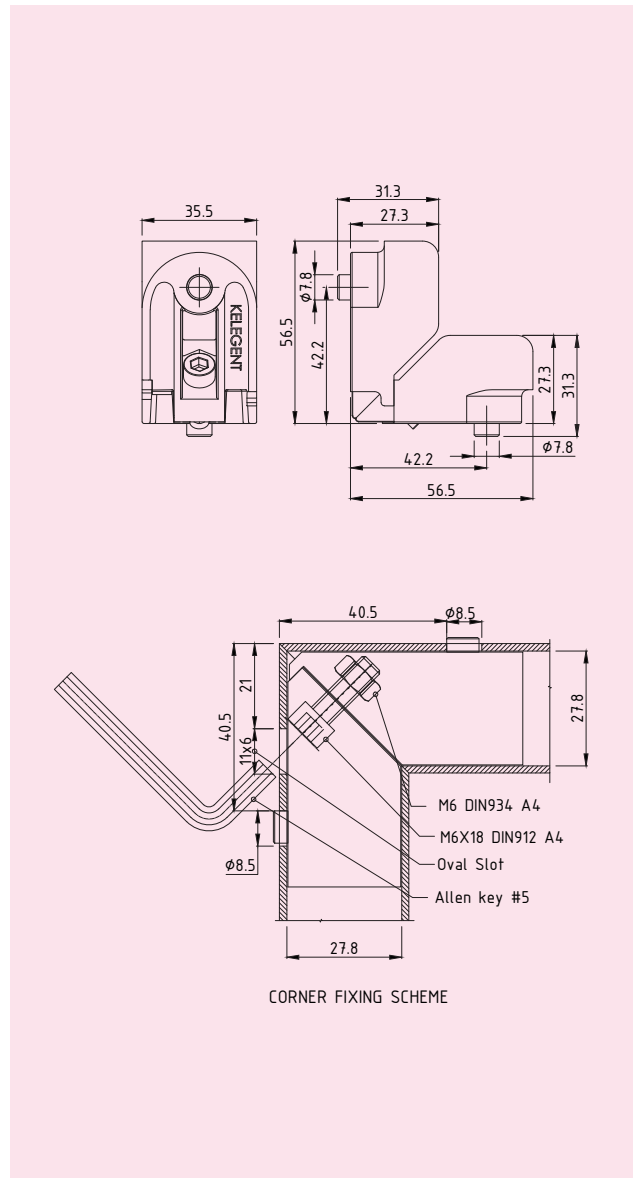
Natural

**PARTS WITH MATERIAL SPECIFICATION**

Die-cast aluminium Body, 2 parts;  
 Aluminium buttons;  
 Stainless steel springs;  
 Galvanized steel spring covers;  
 Hex socket cap head screw M6x20 DIN912 A4-1 nos.  
 Hex nut M6 DIN934 A4-1 nos.

**TECHNICAL FEATURES**

- Die-cast aluminium corner cleat with external spring-loaded buttons (Ø7.8 mm) designed for quick and secure aluminium frames corner assembling.
- Fixation processed by click-on fixation of the spring-loaded buttons on provided Ø8.5 mm holes in aluminium profiles and tightening of the hex socket cap head screw through the oval slot using hex Allen key #5.
- Applicable profile camera dimensions 27.8 x 36.0 mm.



Packaging: 250 pcs/box

KCJ-14 | Corner Cleat



**FUNCTION**

Die-cast aluminium corner cleat with external spring-loaded buttons provides quick click-on assembling of aluminium frames with 45° cutting profiles ends.

**FINISH**

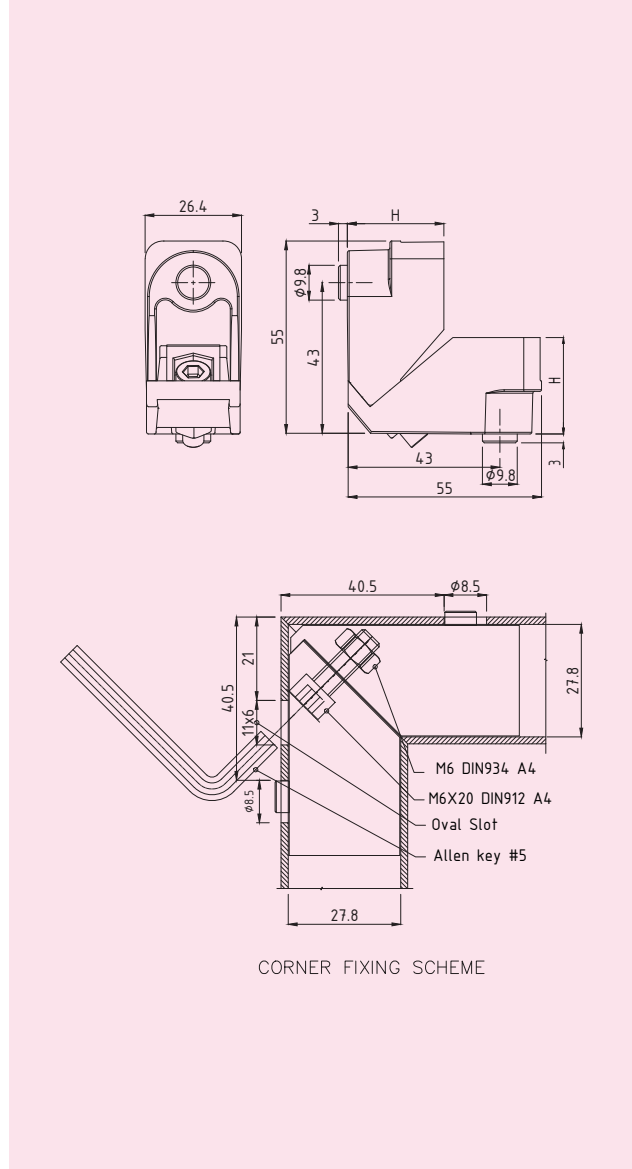
Natural

**PARTS WITH MATERIAL SPECIFICATION**

- Die-cast aluminium Body, 2 parts;
- Aluminium buttons;
- Stainless steel springs;
- Galvanized steel spring covers;
- Hex socket cap head screw M6x20 DIN912 A4-1 nos.
- Hex nut M6 DIN934 A4-1 nos.

**TECHNICAL FEATURES**

- Die-cast aluminium corner cleat with external spring-loaded buttons (Ø9.8 mm) designed for quick and secure aluminium frames corner assembling.
- Fixation processed by click-on fixation of the spring-loaded buttons on provided Ø10.5 mm holes in aluminium profiles and tightening of the hex socket cap head screw through the oval slot using hex Allen key #5.
- Applicable profile camera dimensions 27.8 x 27.0 mm.



Code	H (mm)	Size (mm)	Profile Camera Dimensions HXW (mm)
KCJ-14	27.2	27.2 X 26.4	27.7 x 27.0
KCJ-14-V1	25.5	25.5 X 26.4	26.0 x 27.0
KCJ-14-V2	21.5	21.5 X 26.4	22.0 x 27.0

Packaging: 250 pcs/box

KCJ-EXT 9.5mm series | Corner Cleat



**FUNCTION**

Aluminium extruded corner cleat with external spring-loaded buttons provides quick click-on assembling of aluminium frames with 45° cutting profiles ends.

**FINISH**

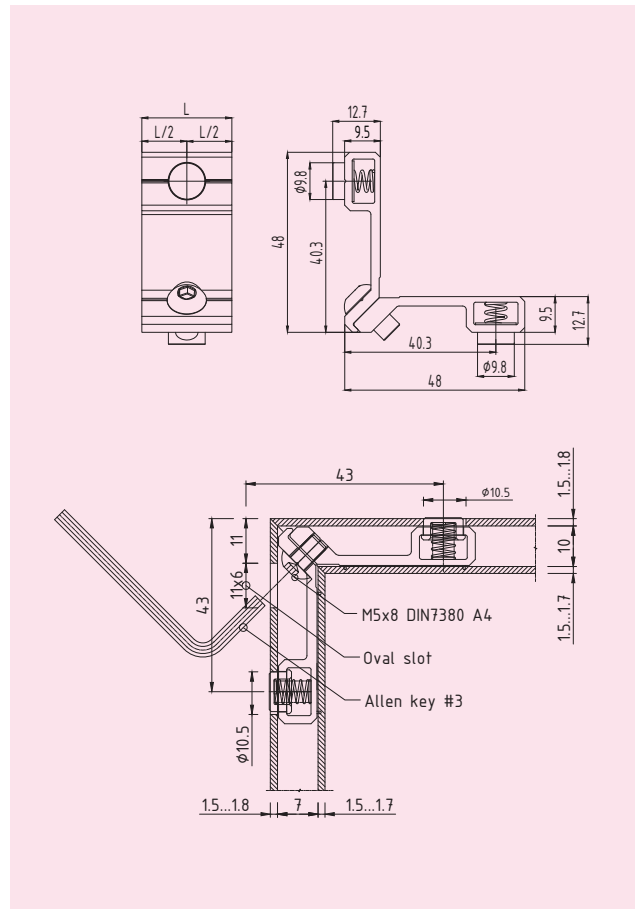
Natural

**PARTS WITH MATERIAL SPECIFICATION**

Aluminium extruded Body, 2 parts;  
 Aluminium buttons;  
 Stainless steel springs;  
 Carbon steel socket button head screw M6x12  
 DIN7380-1 nos.

**TECHNICAL FEATURES**

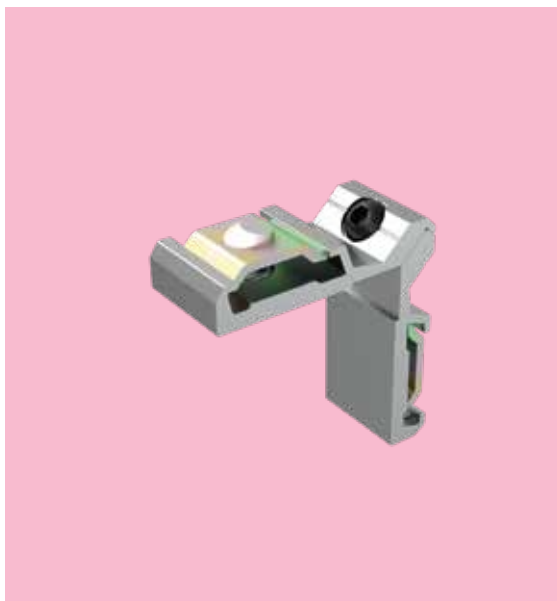
- Aluminium extruded corner cleat with external spring-loaded buttons (Ø9.8 mm) for quick and secure aluminium frames corner assembling.
- Fixation processed by click-on fixation of the spring-loaded buttons on provided Ø10.5 mm holes in aluminium profiles and tightening of the socket button head screw using hex Allen key #3.



Item Code	L (mm)	Size (mm)	Profile Camera Dimensions HXW (mm)
KCJ-EXT-01	41.0	9.5 x 41.0	10.0 X 41.5
KCJ-EXT-10	19.0	9.5 x 19.0	10.0 X 19.5
KCJ-EXT-11	21.5	9.5 x 21.5	10.0 X 22.0
KCJ-EXT-12	24.0	9.5 x 24.0	10.0 X 24.5
KCJ-EXT-15	35.5	9.5 x 35.5	10.0 X 36.0
KCJ-EXT-22	17.5	9.5 x 17.5	10.0 X 18.0

Packaging: 250 pcs/box

KCJ-EXT 10mm series | Corner Cleat



**FUNCTION**

Aluminium extruded corner cleat with external spring-loaded buttons provides quick click-on assembling of aluminium frames with 45° cutting profiles ends.

**FINISH**

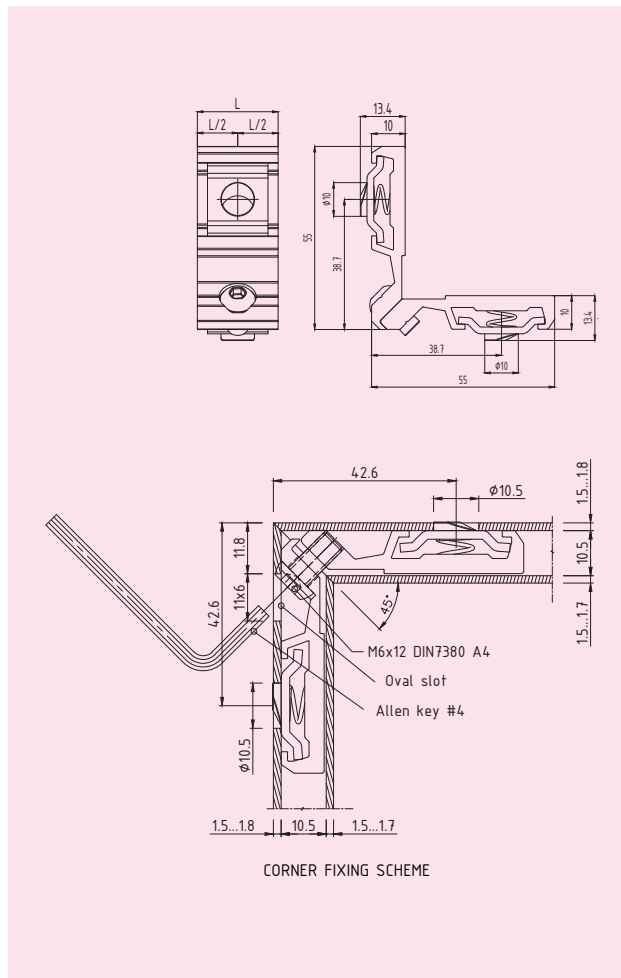
Natural

**PARTS WITH MATERIAL SPECIFICATION**

Aluminium extruded body, 2 parts;  
Galvanized steel buttons;  
Stainless steel springs;  
Socket button head screw M6x12 DIN7380 -1 nos.

**TECHNICAL FEATURES**

- Aluminium extruded corner cleat with external spring-loaded buttons (ø10 mm) for quick and secure aluminium frames corner assembling.
- Fixation processed by click-on fixation of the spring-loaded buttons on provided ø10.5 mm holes in aluminium profiles and tightening of the socket button head screw using hex Allen key #3.



Item Code	L (mm)	Size (mm)	Profile Camera Dimensions HXW (mm)
KCJ-EXT-18	21.5	10.0 x 21.5	10.5 X 22.0
KCJ-EXT-19	24.0	10.0 x 24.0	10.5 X 24.5
KCJ-EXT-21	41.0	10.0 x 41.0	10.5 X 41.5
KCJ-EXT-25	26.5	10.0 x 26.5	10.5 X 27.0
KCJ-EXT-28	36.0	10.0 x 36.0	10.5 X 36.5
KCJ-EXT-29	29.8	10.0 x 29.8	10.5 X 30.3

Packaging: 250 pcs/box

## Corner Cleats & Mullion Connectors >> Corner Cleats

### KCJ-EXT 10.5mm series | Corner Cleat



#### FUNCTION

Aluminium extruded corner cleat with external spring-loaded buttons provides quick click-on assembling of aluminium frames with 45° cutting profiles ends.

#### FINISH

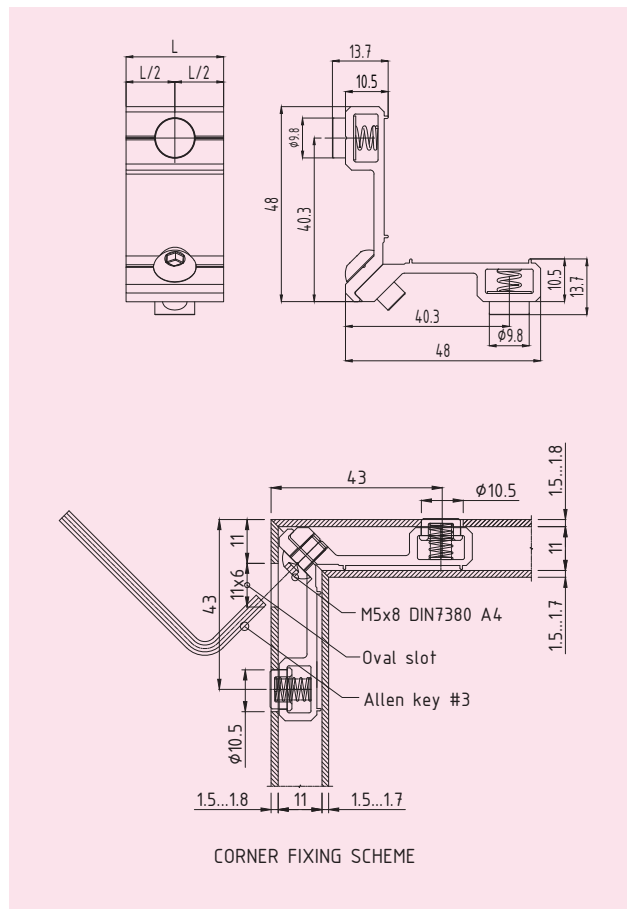
Natural

#### PARTS WITH MATERIAL SPECIFICATION

Aluminium extruded body, 2 parts;  
Aluminium buttons;  
Stainless steel springs;  
Carbon steel socket button head screw M6x12  
DIN7380-1 nos.

#### TECHNICAL FEATURES

- Aluminium extruded corner cleat with external spring-loaded buttons (Ø9.8 mm) for quick and secure aluminium frames corner assembling.
- Fixation processed by click-on fixation of the spring-loaded buttons on provided Ø10.5 mm holes in aluminium profiles and tightening of the socket button head screw using hex Allen key #3.



Item Code	L (mm)	Size (mm)	Profile Camera Dimensions HXW (mm)
KCJ-EXT-02	21.5	10.5 x 21.5	11.0 X 22.0
KCJ-EXT-03	24.0	10.5 x 24.0	11.0 X 24.5
KCJ-EXT-04	41.0	10.5 x 41.0	11.0 X 41.5
KCJ-EXT-06	19.0	10.5 x 19.0	11.0 X 19.5
KCJ-EXT-09	35.5	10.5 x 35.5	11.0 X 36.0
KCJ-EXT-23	17.0	10.5 x 17.0	11.0 X 17.5
KCJ-EXT-30	30.0	10.5 x 30.0	11.0 X 30.5

Packaging: 250 pcs/box

KCJ-EXT 13.2mm series | Corner Cleat



**FUNCTION**

Aluminium extruded corner cleat with external spring-loaded buttons provides quick click-on assembling of aluminium frames with 45° cutting profiles ends.

**FINISH**

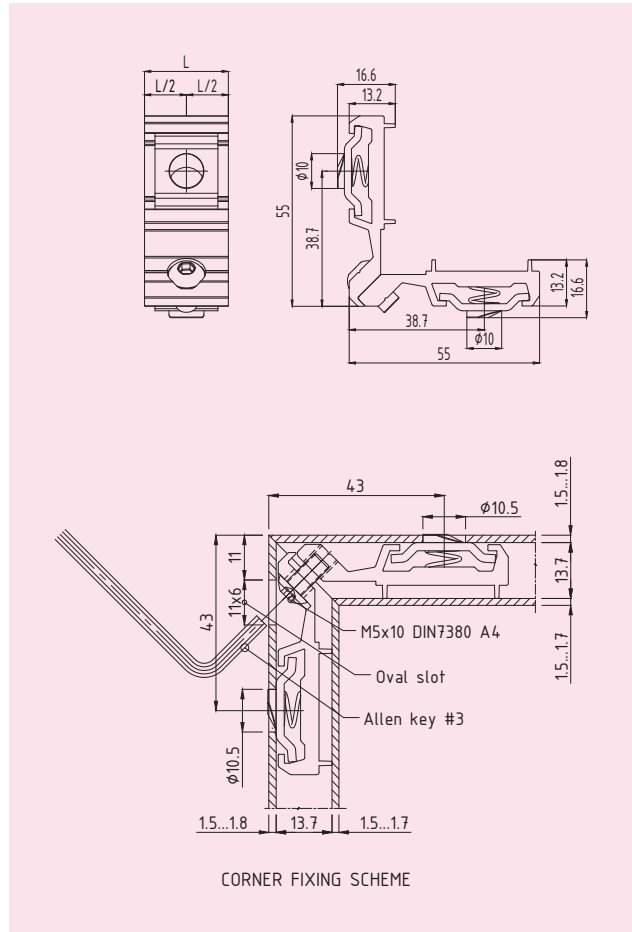
Natural

**PARTS WITH MATERIAL SPECIFICATION**

Aluminium extruded body, 2 parts;  
Galvanized steel buttons;  
Stainless steel springs;  
Socket button head screw M6x12 DIN7380 -1 nos.

**TECHNICAL FEATURES**

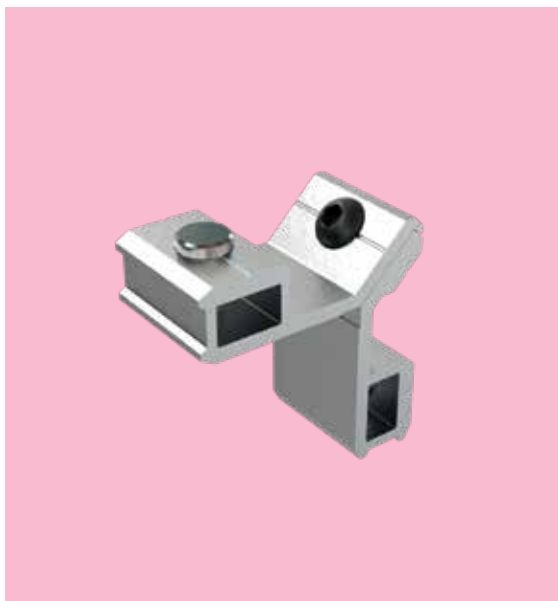
- Aluminium extruded corner cleat with external spring-loaded buttons (ø10 mm) for quick and secure aluminium frames corner assembling.
- Fixation processed by click-on fixation of the spring-loaded buttons on provided ø10.5 mm holes in aluminium profiles and tightening of the socket button head screw using hex Allen key #3.



Item Code	L (mm)	Size (mm)	Profile Camera Dimensions HXW (mm)
KCJ-EXT-20	27.0	13.2 x 27.0	13.7 X 28.5
KCJ-EXT-24	24.0	13.2 x 24.0	13.7 X 24.5

Packaging: 250 pcs/box

KCJ-EXT 14.2mm series | Corner Cleat



**FUNCTION**

Aluminium extruded corner cleat with external spring-loaded buttons provides quick click-on assembling of aluminium frames with 45° cutting profiles ends.

**FINISH**

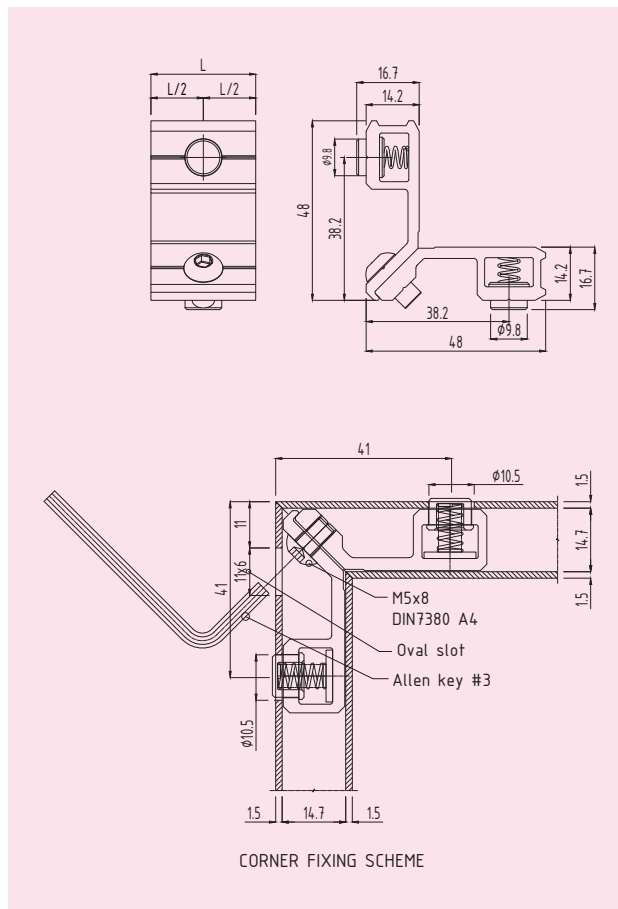
Natural

**PARTS WITH MATERIAL SPECIFICATION**

Aluminium extruded body, 2 parts;  
Aluminium buttons;  
Stainless steel springs;  
Carbon steel socket button head screw M6x12  
DIN7380-1 nos.

**TECHNICAL FEATURES**

- Aluminium extruded corner cleat with external spring-loaded buttons (Ø9.8 mm) for quick and secure aluminium frames corner assembling.
- Fixation processed by click-on fixation of the spring-loaded buttons on provided Ø10.5 mm holes in aluminium profiles and tightening of the socket button head screw using hex Allen key #3.

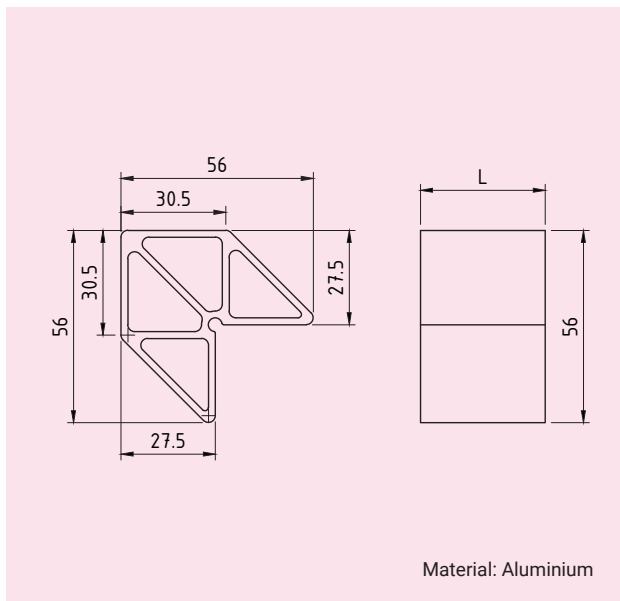


Item Code	L (mm)	Size (mm)	Profile Camera Dimensions HXW (mm)
KCJ-EXT-05	28.0	14.2 x 28.0	14.7 X 28.5
KCJ-EXT-07	21.5	14.2 x 21.5	14.7 X 22.5
KCJ-EXT-08	36.0	14.2 x 36.0	14.7 X 36.5
KCJ-EXT-13	41.5	14.2 x 41.5	14.7 X 42.5
KCJ-EXT-14	47.5	14.2 x 47.5	14.7 X 48.0
KCJ-EXT-16	26.0	14.2 x 26.0	14.7 X 26.5
KCJ-EXT-17	29.5	14.2 x 29.5	14.7 X 30.0
KCJ-EXT-26	45.0	14.2 x 45.0	14.7 X 45.5
KCJ-EXT-27	40.5	14.2 x 40.5	14.7 X 41.0

Packaging: 250 pcs/box

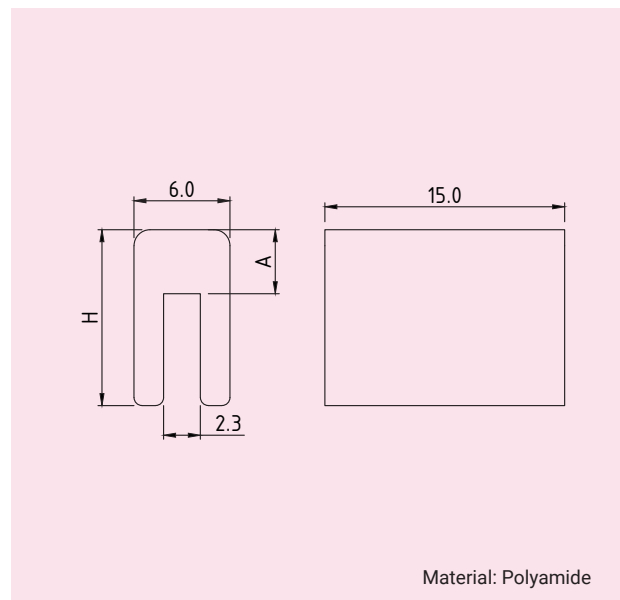
Corner Cleats & Mullion Connectors >> Corner Cleats

KCJ-EXT (Spacer) | H:27.5mm



Packaging: 250 pcs/box

KCJ-MI-01/02 | Corner Cleat Adapter

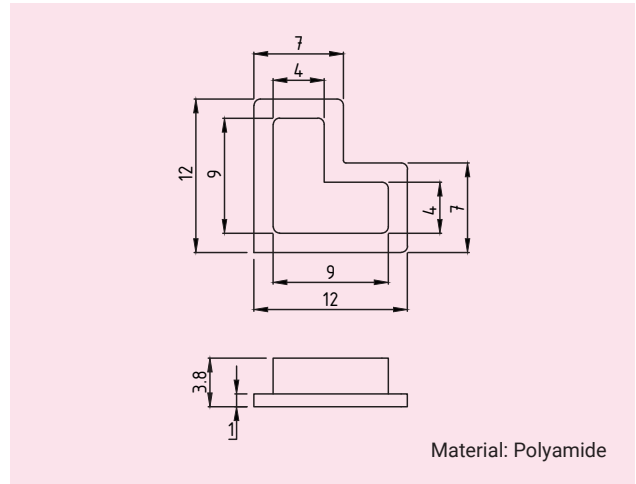


Item Code	A (mm)	H (mm)
KCJ-MI-01	3.0	8.0
KCJ-MI-02	6.0	11.0

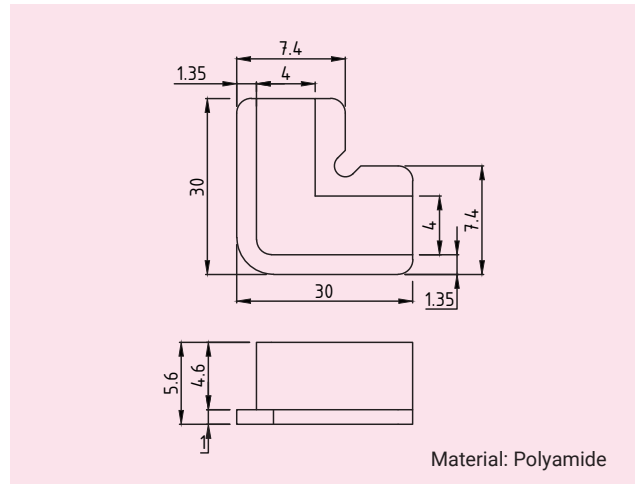
Packaging: 1000 pcs/box

Corner Cleats & Mullion Connectors >> Shutter Alignment Corners

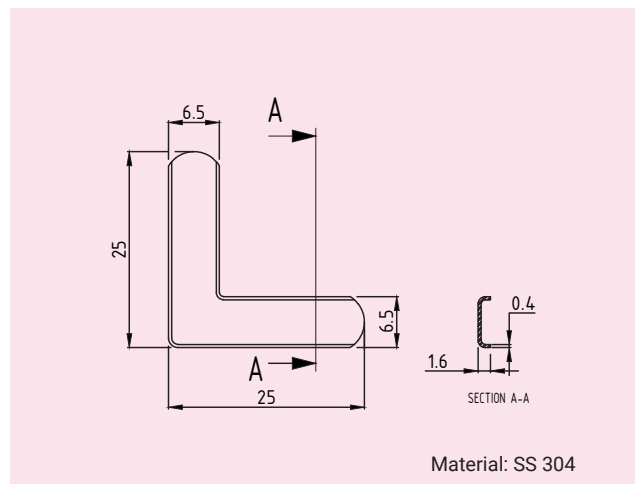
AC-06 | Alignment Shoulder for Frame



AC-06-V1 | Alignment Shoulder for Frame



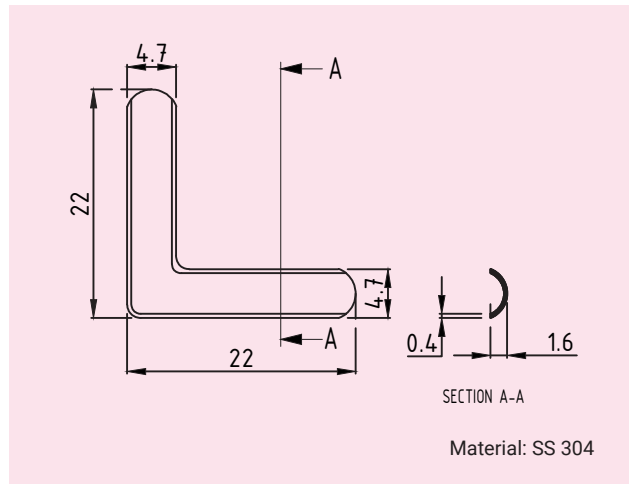
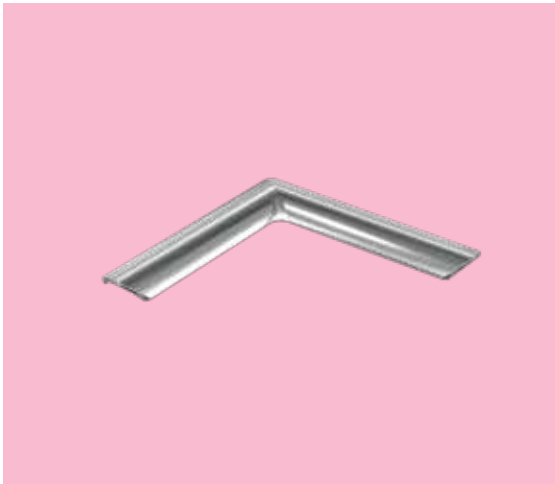
2650 | SS - Corner



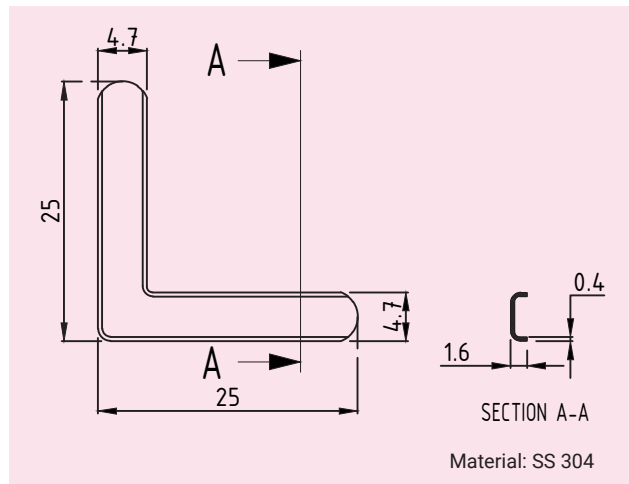
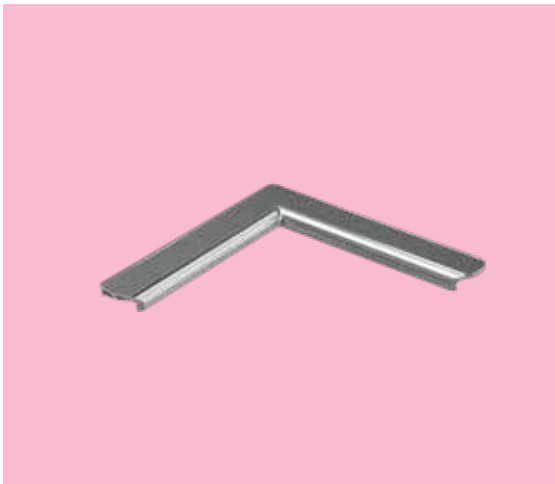
Packaging: 1000 pairs/box

Corner Cleats & Mullion Connectors >> Shutter Alignment Corners

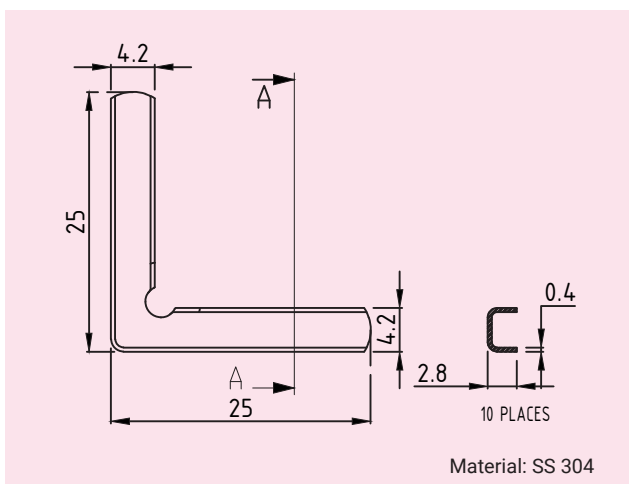
00365 | SS – Corner



F023C | SS – Corner



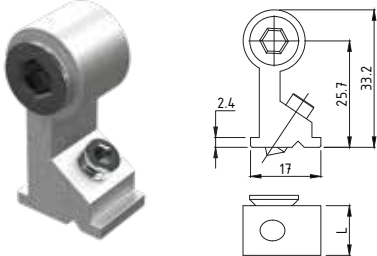
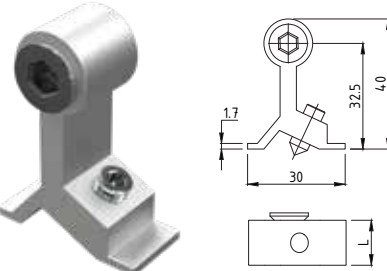
KMI-MW-01 | SS – Corner



Packaging: 1000 pairs/box

## Corner Cleats & Mullion Connectors >> Transom Mullion Connectors

### KCN-06 / 13 | Mullion Connectors

KCN #	Drawing	Material Specification	Item Code	L(mm)
KCN-06		<p>Extruded aluminium body, Galvanized steel screw and grub screw.</p> <p>M8 x 12 CSK Lock Screw M6 x 16 Allen Grub Screw</p>	KCN-06	12.0
			KCN-06-V1	10.5
			KCN-06-V2	9.5
			KCN-06-V3	33.5
			KCN-06-V4	13.5
			KCN-06-V5	15.0
			KCN-06-V6	25.0
KCN-13		<p>Extruded aluminium body, Galvanized steel screw and grub screw.</p> <p>M8 x 12 CSK Lock Screw M6 x 16 Allen Grub Screw</p>	KCN-13	13.8
			KCN-13-V1	30.1

#### FINISH

Natural

#### TECHNICAL FEATURES

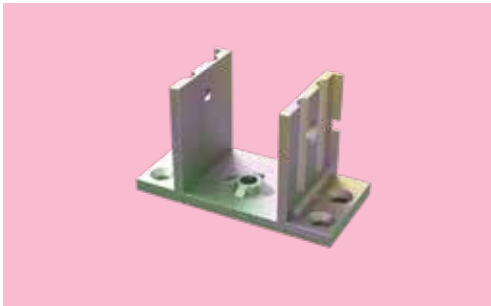
Tee and cross connector support for joining extruded aluminium profile sections. Quick to install and very secure. Supplied with a special lock screw that does not interfere with the glass top.

Packaging: 500 pcs/box

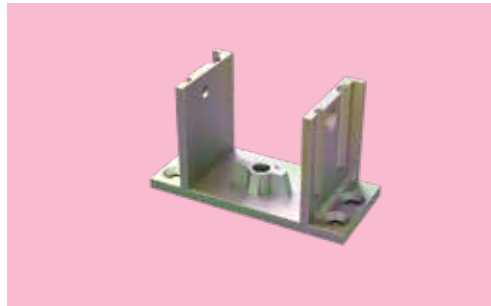
Corner Cleats & Mullion Connectors >> Transom Mullion Connectors

KCN-02 / 04 / 05 / 07 / 14 | Transom / Mullion Connectors

KCN-02



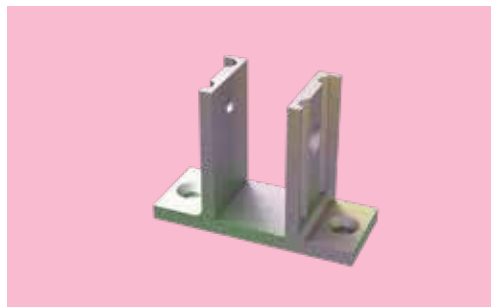
KCN-04



KCN-07



KCN-14



PRODUCT DETAILS

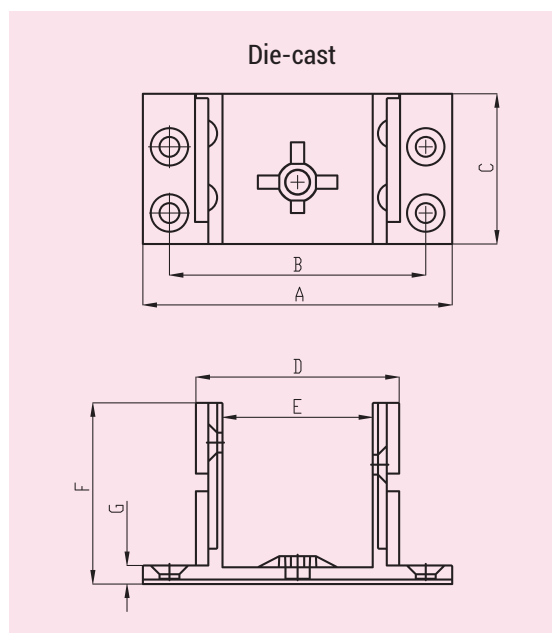
Item Code	A	B	C	D	E	F	G
KCN-02	70.0	58.0	34.0	46.0	34.0	41.0	4.2
KCN-04	70.0	59.0	31.5	54.5	40.5	40.0	3.5
KCN-07	72.0	60.0	36.5	59.0	37.0	38.0	3.0
KCN-14	56.0	44.0	22.0	32.0	19.8	41.0	4.0

FINISH

Electroplated / Powder coated

MATERIAL SPECIFICATION

ZAMAK



Packaging: 500 pcs/box