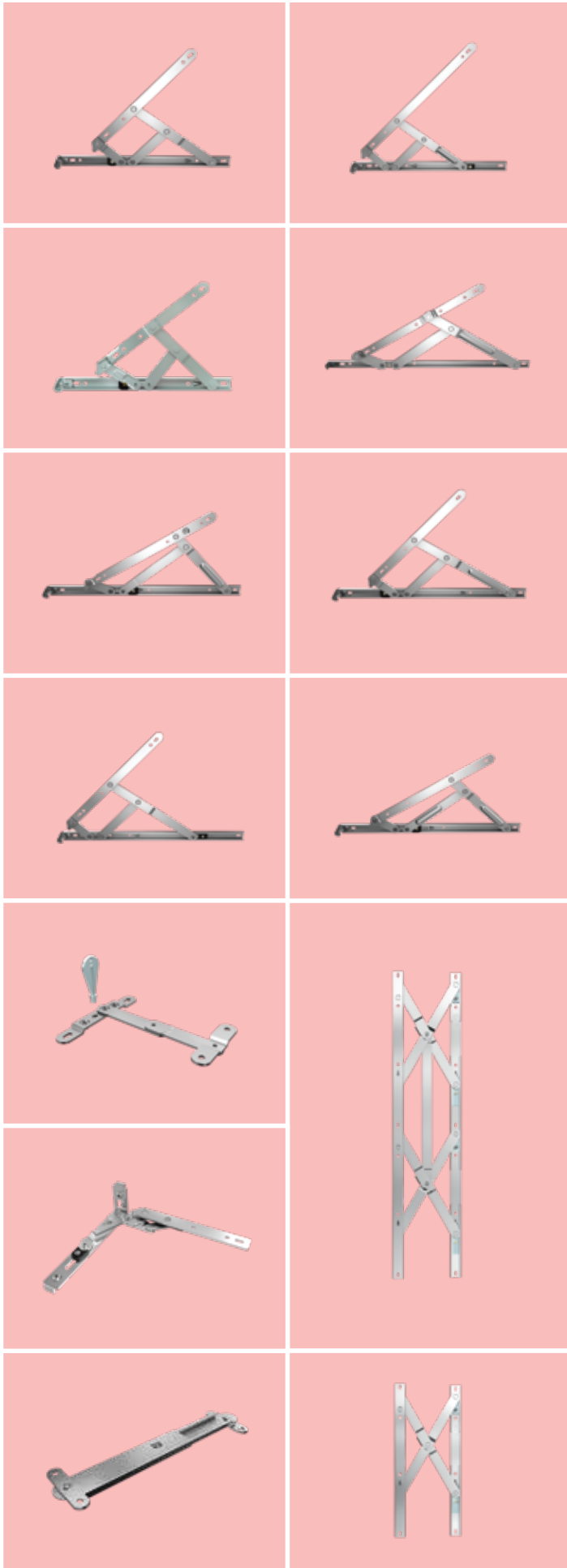




Friction Stays & Allied Hardware

The most in-demand product in our stable with an offering for all types of window applications.



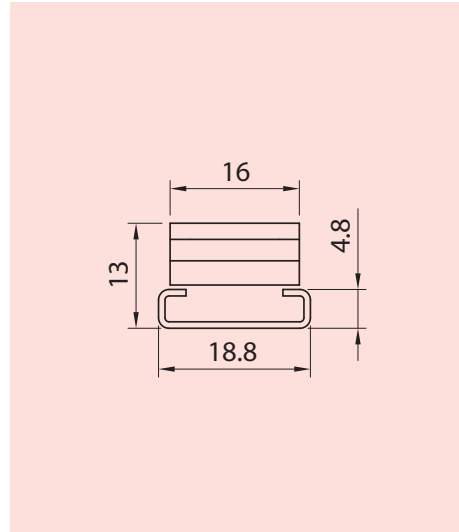
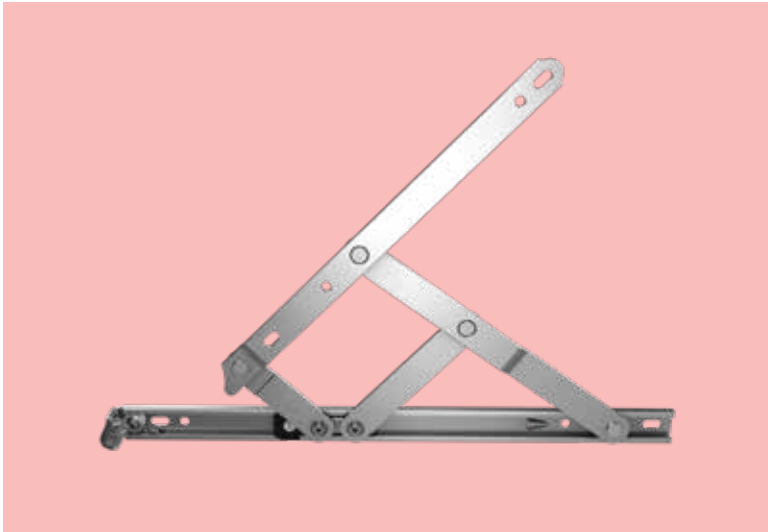
Key Features

- Light Duty & Heavy duty models offered in Easy Clean and Egress designs
- Offering for Casement (Side hung) and Projected (Top hung) opening applications
- Offering for conventional (non-eurogroove) and eurogroove enabled systems
- Specially designed models for projected openings in curtain wall & glazing applications
- Parallel opening stays available in aligned stack models
- Conforms to International Endurance Test standards
- Wide variety of Restrictor arm models also available

Friction Stays & Allied Hardware >> Friction Stays

KFS-LD-SP I Light Duty Friction Stay (Easy clean)

Application: Side Hung & Top Hung



TECHNICAL DATA

Stack Height (mm): 13.0

Size (In) for Side Hung: 8, 10, 12, 16

Size (In) for Top Hung: 16, 20, 24

Link Bar Thickness (mm): 2.0

MATERIAL SPECIFICATION

Stainless Steel Grade: 304

Slider: Polyamide

LOAD RATING DETAILS

#	Product Code	Size	Side Hung (Vent Width)		Top Hung (Vent Height)		Max Vent weight (Kgs)	Opening Angle
			Length (mm)	Min (mm)	Max (mm)	Min (mm)		
1	KFS-LD-SP-8_80D	215	250	400	N/A	N/A	10	80°
2	KFS-LD-SP-10_90D	249	401	500	N/A	N/A	14	90°
3	KFS-LD-SP-12_90D	299	501	600	N/A	N/A	18	90°
4	KFS-LD-SP-16_90D	403	601	800	N/A	N/A	22	90°
5	KFS-LD-SP-10_45D	249	N/A	N/A	300	500	20	45°
6	KFS-LD-SP-12_45D	299	N/A	N/A	350	600	25	45°
7	KFS-LD-SP-16_30D	403	N/A	N/A	450	1000	30	30°
8	KFS-LD-SP-20_30D	505	N/A	N/A	1001	1250	35	30°
9	KFS-LD-SP-24_30D	617	N/A	N/A	1251	1500	40	30°

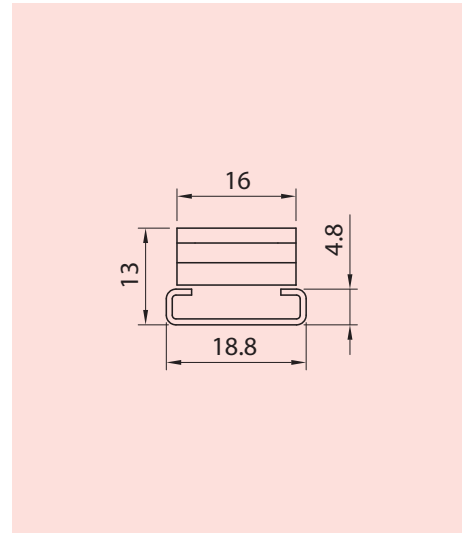
Note: Load capacity is subjected to shutter size

Packaging: 25 pairs/box

Friction Stays & Allied Hardware >> Friction Stays

KFS-LD-SP-EO I Light Duty Friction Stay (Egress)

Application: Side Hung



TECHNICAL DATA

Stack Height (mm): 13.0

Size (In) for Side Hung: 12, 16

Link Bar Thickness (mm): 2.0

MATERIAL SPECIFICATION

Stainless Steel Grade: 304

Slider: Polyamide

LOAD RATING DETAILS

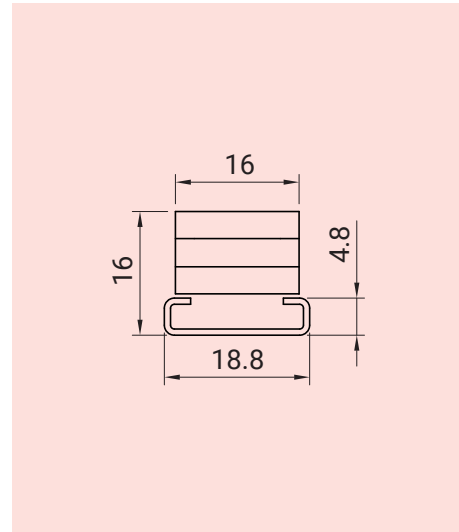
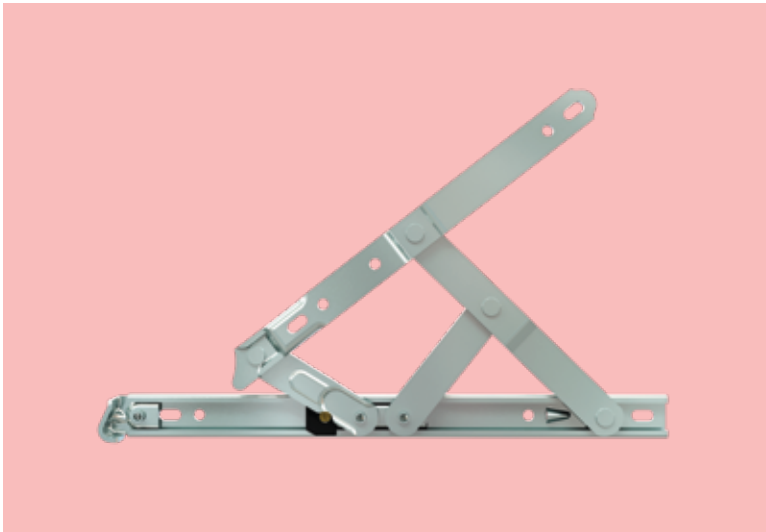
#	Product Code	Size	Side Hung (Vent Width)		Max Vent weight (Kgs)	Opening Angle
		Length (mm)	Min (mm)	Max (mm)		
1	KFS-LD-SP-EO-12_90D	304	350	600	18	90°
2	KFS-LD-SP-EO-16_90D	401	601	800	22	90°

Packaging: 25 pairs/box

Friction Stays & Allied Hardware >> Friction Stays

KFS-EHD-SP I Medium Duty Friction Stay (Easy Clean)

Application: Side Hung & Top Hung



TECHNICAL DATA

Stack Height (mm): 16.0

Size (In) for Side Hung: 10, 12,16

Size (In) for Top Hung: 10, 12,16, 20, 24

Link Bar Thickness (mm): 2.5

MATERIAL SPECIFICATION

Stainless Steel Grade: 304

Slider: Polyamide

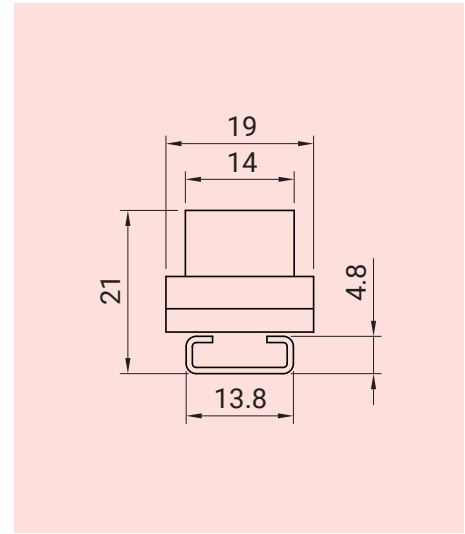
#	Product Code	Size	Side Hung (Vent Width)		Top Hung (Vent Height)		Max Vent weight (Kgs)	Opening Angle
			Length (mm)	Min (mm)	Max (mm)	Min (mm)		
1	KFS-EHD-SP-10_90D	249	300	500	N/A	N/A	20	90°
2	KFS-EHD-SP-12_90D	299	501	600	N/A	N/A	25	90°
3	KFS-EHD-SP-16_90D	398	601	800	N/A	N/A	35	90°
4	KFS-EHD-SP-10_45D	249	N/A	N/A	300	600	25	45°
5	KFS-EHD-SP-12_45D	299	N/A	N/A	601	750	30	45°
6	KFS-EHD-SP-16_30D	398	N/A	N/A	751	1000	40	30°
7	KFS-EHD-SP-20_30D	505	N/A	N/A	1001	1250	50	30°
8	KFS-EHD-SP-24_30D	616	N/A	N/A	1251	1500	60	30°

Packaging: 25 pairs/box

Friction Stays & Allied Hardware >> Friction Stays

KFS-EHD-US I Medium Duty Friction Stay (Easy clean)

Application: Side Hung & Top Hung



TECHNICAL DATA

Stack Height (mm): 21.0

Size (In) for Side Hung: 10, 12, 16

Size (In) for Top Hung: 10, 12, 16, 20, 24

Link Bar Thickness (mm): 2.5

MATERIAL SPECIFICATION

Stainless Steel Grade: 304

Slider: Polyamide

LOAD RATING DETAILS

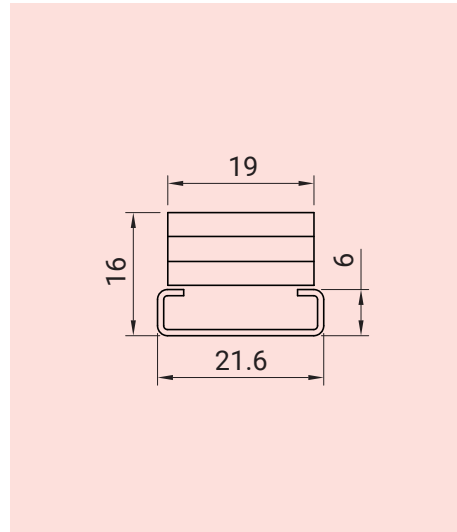
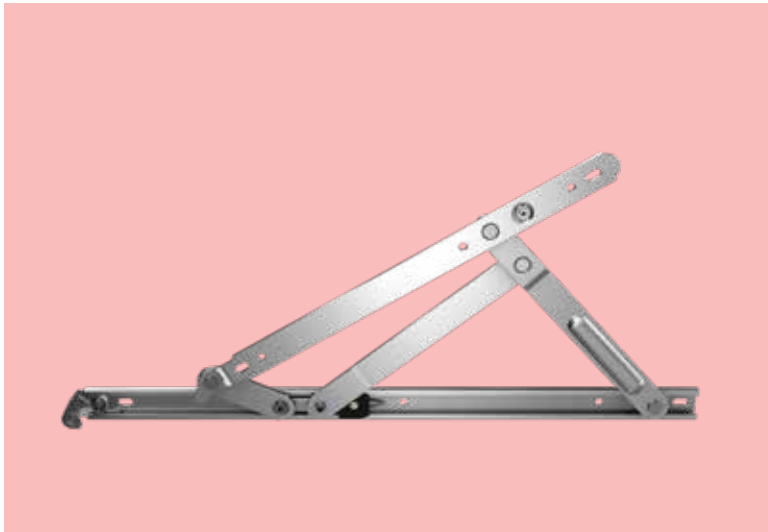
#	Product Code	Size Length (mm)	Side Hung (Vent Width)		Top Hung (Vent Height)		Max Vent weight (Kgs)	Opening Angle
			Min (mm)	Max (mm)	Min (mm)	Max (mm)		
1	KFS-EHD-US-10_90D	242	300	500	N/A	N/A	16	90°
2	KFS-EHD-US-12_90D	292	501	600	N/A	N/A	20	90°
3	KFS-EHD-US-16_90D	391	601	800	N/A	N/A	24	90°
4	KFS-EHD-US-10_45D	242	N/A	N/A	300	600	30	45°
5	KFS-EHD-US-12_45D	292	N/A	N/A	601	750	35	45°
6	KFS-EHD-US-16_30D	391	N/A	N/A	751	1000	40	30°
7	KFS-EHD-US-20_30D	494	N/A	N/A	1001	1250	45	30°
8	KFS-EHD-US-24_30D	609	N/A	N/A	1251	1500	50	30°

Packaging: 20 pairs/box

Friction Stays & Allied Hardware >> Friction Stays

KFS-HD-RV I Heavy Duty Friction Stay (Vent Groove Mounted)

Application: Aluminium Type-1 Eurogroove (Side Hung & Top Hung)



TECHNICAL DATA

Stack Height (mm): 16.0

Size (In) for Side Hung: 12, 16

Size (In) for Top Hung: 12, 16, 20, 24

MATERIAL SPECIFICATION

Stainless Steel Grade: 304

Slider: Polyamide

LOAD RATING DETAILS

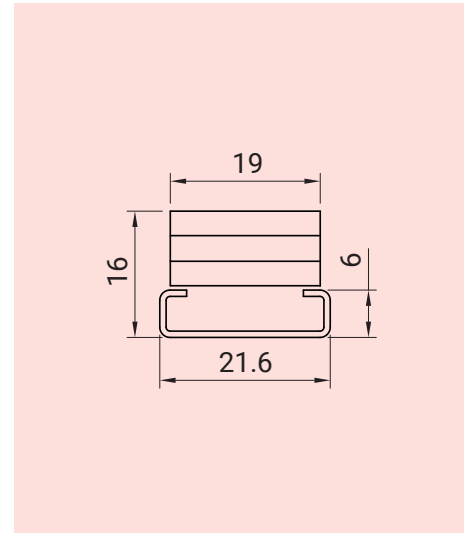
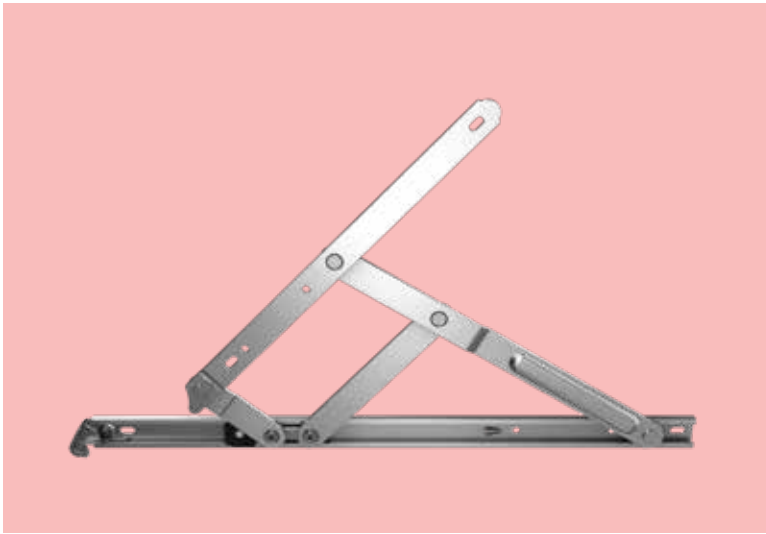
#	Product Code	Size	Side Hung (Vent Width)		Top Hung (Vent Height)		Max Vent weight (Kgs)	Opening Angle
			Length (mm)	Min (mm)	Max (mm)	Min (mm)		
1	KFS-HD-RV-12_85D	313	501	600	N/A	N/A	28	85°
2	KFS-HD-RV-16_87D	417	601	800	N/A	N/A	32	87°
3	KFS-HD-RV-12_45D	313	N/A	N/A	601	750	38	45°
4	KFS-HD-RV-16_30D	417	N/A	N/A	751	1000	44	30°
5	KFS-HD-RV-20_30D	518	N/A	N/A	1001	1250	56	30°
6	KFS-HD-RV-24_30D	618	N/A	N/A	1251	1500	64	30°

Packaging: 20 pairs/box

Friction Stays & Allied Hardware >> Friction Stays

KFS-HD-NL I Heavy Duty Friction Stay (Easy Clean)

Application: Side Hung



TECHNICAL DATA

Stack Height (mm): 16.0

Size (In) for Side Hung: 10, 12, 14, 16

Link Bar Thickness (mm): 2.5

MATERIAL SPECIFICATION

Stainless Steel Grade: 304

Slider: Polyamide

LOAD RATING DETAILS

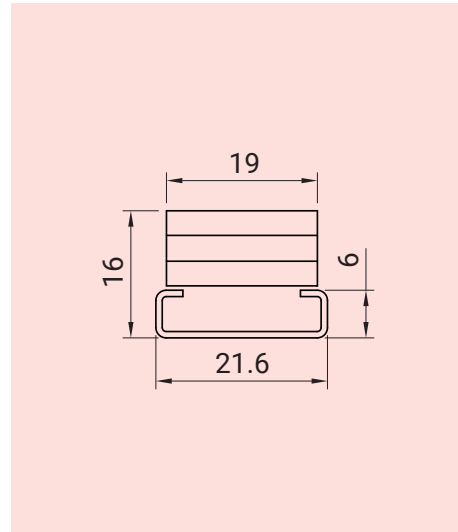
#	Product Code	Size	Side Hung (Vent Width)		Max Vent weight (Kgs)	Opening Angle
		Length (mm)	Min (mm)	Max (mm)		
1	KFS-HD-NL-10_87D	263	300	500	30	87°
2	KFS-HD-NL-12_87D	313	501	600	33	87°
3	KFS-HD-NL-16_87D	417	701	800	40	87°

Packaging: 20 pairs/box

Friction Stays & Allied Hardware >> Friction Stays

KFS-HD-NL-EO I Heavy Duty Friction Stay (Egress)

Application: Side Hung



TECHNICAL DATA

Stack Height (mm): 16.0

Size (In) for Side Hung: 10, 12, 16

Link Bar Thickness (mm): 2.5

MATERIAL SPECIFICATION

Stainless Steel Grade: 304

Slider: Polyamide

LOAD RATING DETAILS

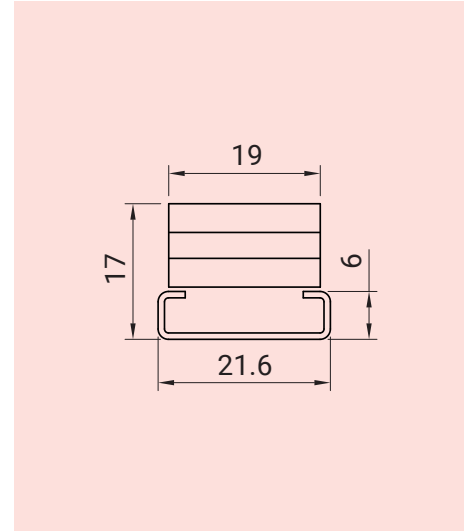
#	Product Code	Size Length (mm)	Side Hung (Vent Height)		Max Vent weight (Kgs)	Opening Angle
			Min (mm)	Max (mm)		
1	KFS-HD-NL-EO-10_83D	262	300	500	30	83°
2	KFS-HD-NL-EO-12_87D	321	501	600	35	87°
3	KFS-HD-NL-EO-16_87D	420	601	800	40	87°

Packaging: 20 pairs/box

Friction Stays & Allied Hardware >> Friction Stays

KFS-HD-SP I Heavy Duty Friction Stay (Easy Clean)

Application: Top Hung



TECHNICAL DATA

Stack Height (mm): 17.0

Size (In) for Top Hung: 16, 20, 24, 30

Link Bar Thickness (mm): 3.0

MATERIAL SPECIFICATION

Stainless Steel Grade: 304

Slider: Polyamide

LOAD RATING DETAILS

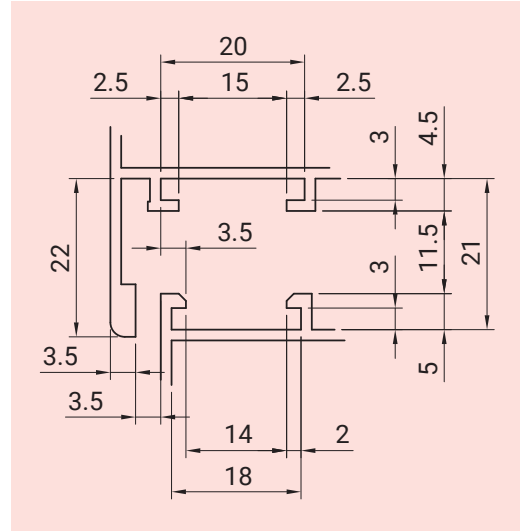
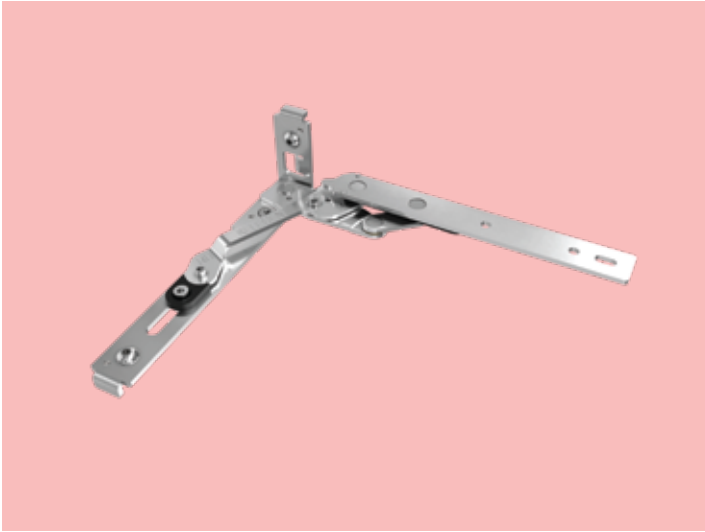
#	Product Code	Size Length (mm)	Top Hung (Vent Height)		Max Vent weight (Kgs)	Opening Angle
			Min (mm)	Max (mm)		
1	KFS-HD-SP-16_30D	417	450	1000	85	30°
2	KFS-HD-SP-20_30D	517	1001	1400	110	30°
3	KFS-HD-SP-24_20D	617	1251	1700	120	20°
4	KFS-HD-SP-30_20D	772	1501	2200	150	20°

Packaging: 25 pairs/box

Friction Stays & Allied Hardware >> Concealed Hinges

Concealed Hinge

APPLICATION DETAIL
TYPE-1 EUROGROOVE



Light Duty

Item code: KFS-CH-LD-01 Material Grade: SS 304

Max. Vent Weight: 70 Kg
Max. Vent Width*: 1000 mm
Max. Vent Height*: 2000 mm
Opening Angle: 90°

*Rebbet-to-Rebbet

Heavy Duty

Item code: KFS-CH-HD-01 Material Grade: SS 304

Max. Vent Weight: 100 Kg
Max. Vent Width*: 1000 mm
Max. Vent Height*: 2000 mm
Opening Angle: 90°

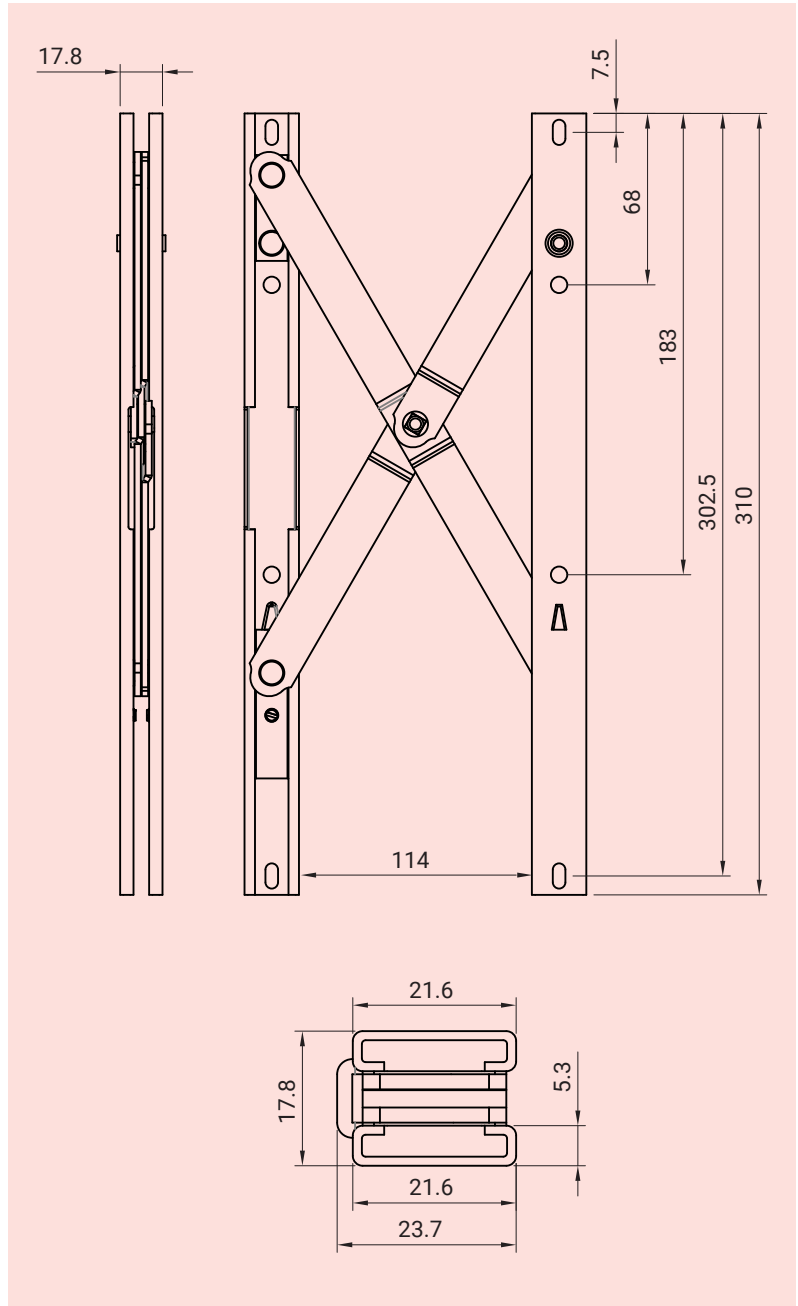
*Rebbet-to-Rebbet

Packaging: 25 pairs/box

Friction Stays & Allied Hardware >> Parallel Opening Stays

KFS-PH-CP I Aligned Parallel Hinge (Single Cross)

Application: Parallel Opening



TECHNICAL DATA

Size (In): 12

MATERIAL SPECIFICATION

Stainless Steel Grade: 304

Slider: Polyamide

LOAD RATING DETAILS

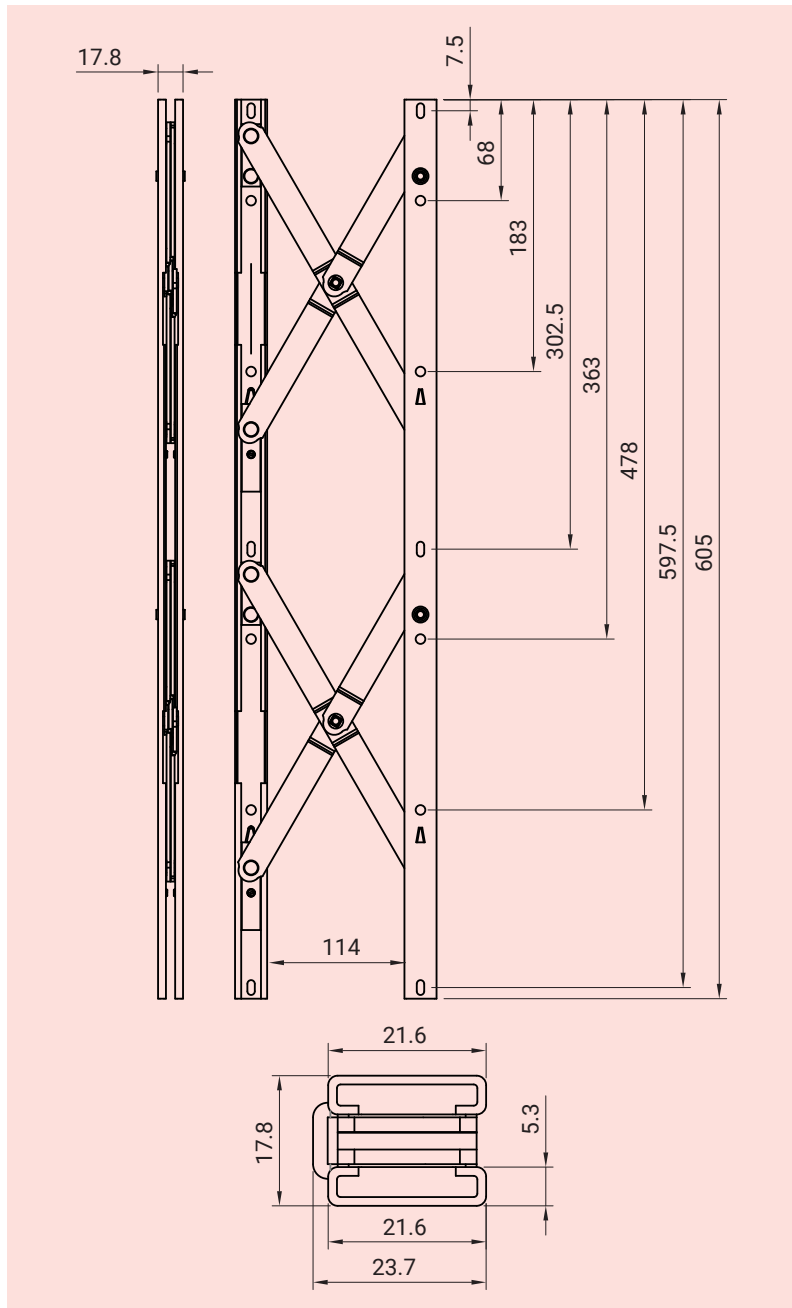
#	Product Code	Stroke Dist.	Max. Vent weight (Kgs)	Vent Size	
				Min (mm)	Max (mm)
1	KFS-PH-CP-12	114	27	400	800

Packaging: 10 pairs/box

Friction Stays & Allied Hardware >> Parallel Opening Stays

KFS-PH-CP I Aligned Parallel Hinge (Double Cross)

Application: Parallel Opening



TECHNICAL DATA

Size (In): 24

MATERIAL SPECIFICATION

Stainless Steel Grade: 304

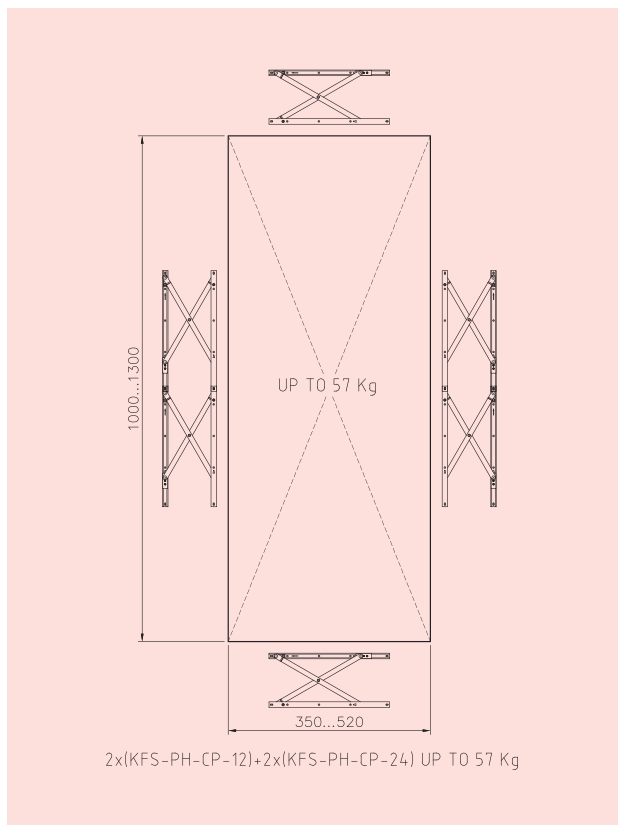
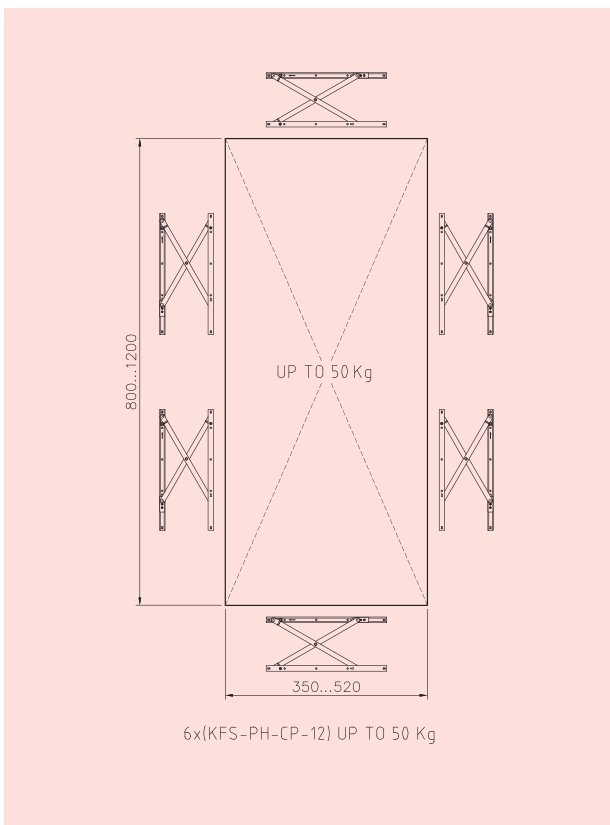
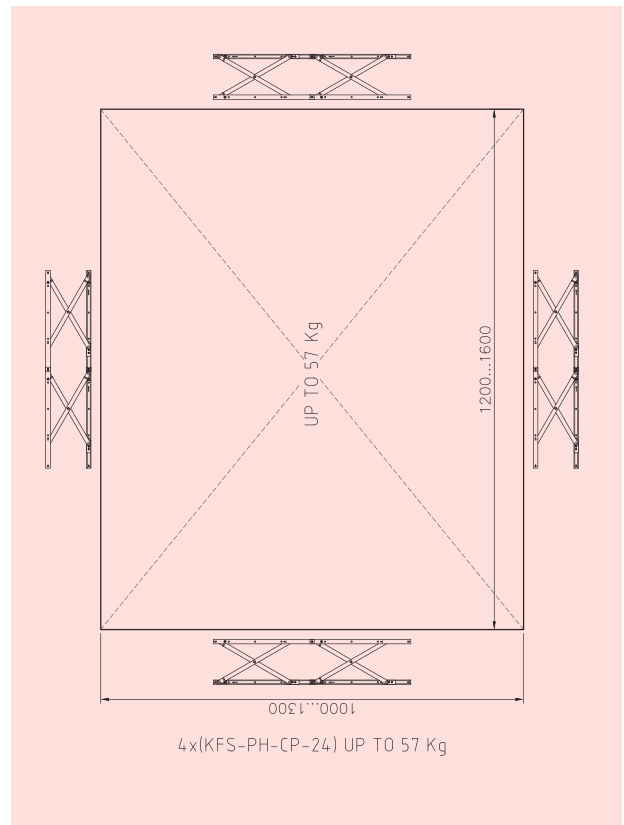
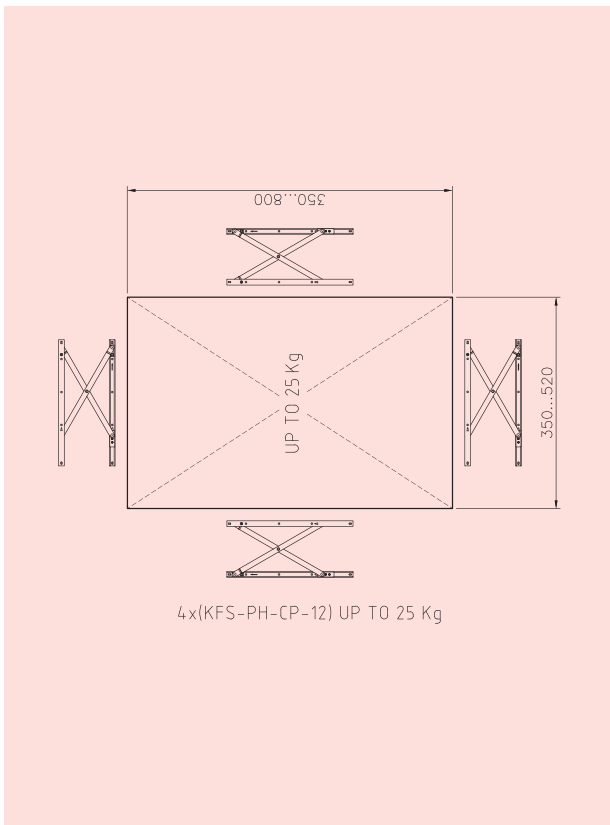
Slider: Polyamide

LOAD RATING DETAILS

#	Product Code	Stroke Dist.	Max. Vent weight (Kgs)	Vent Size	
				Min (mm)	Max (mm)
1	KFS-PH-CP-24(SS-304)	114	57	800	1600

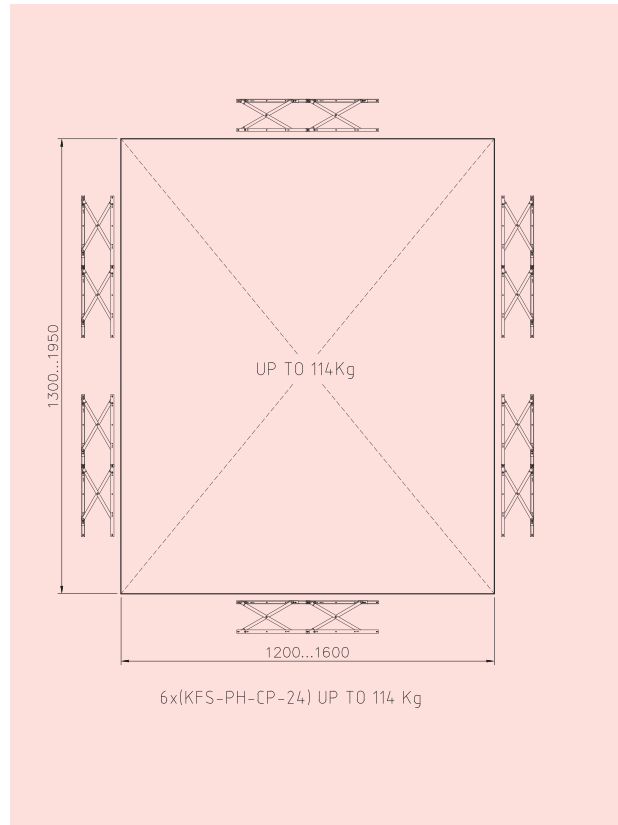
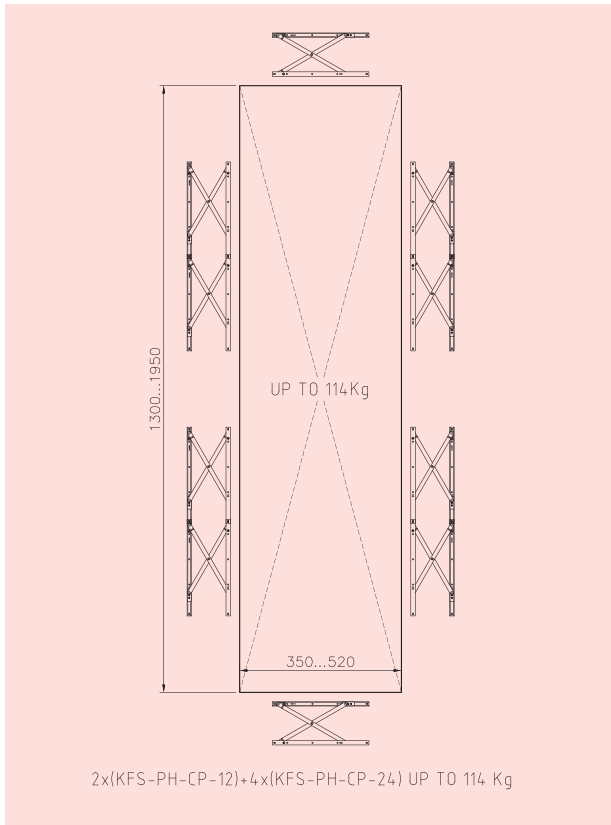
Packaging: 10 pairs/box

Technical Application



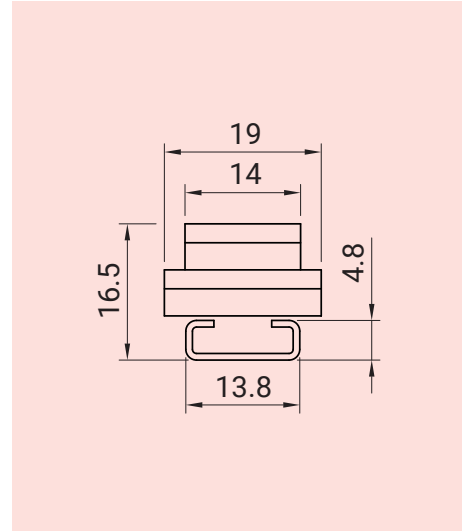
Friction Stays & Allied Hardware >> Parallel Opening Stays

Technical Application



Friction Stays & Allied Hardware >> Restrictor Arm Stays

KFA-ELD I Eurogroove Slim Line Series Light Duty Restrictor Arm



TECHNICAL DATA

Size (In): 10, 12, 16

Link Bar Thickness (mm): 2.0

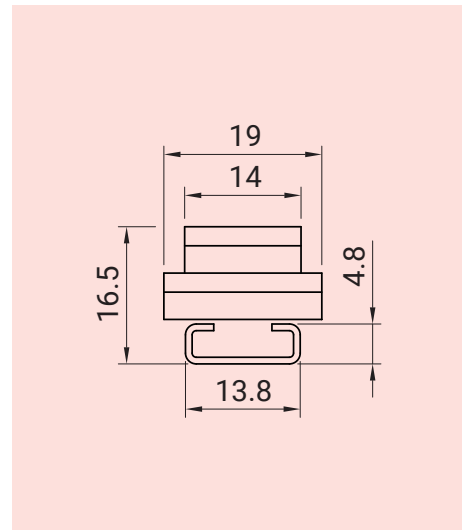
Packaging: 25 pairs/box

MATERIAL SPECIFICATION

Stainless Steel Grade: 304

Slider: Polyamide

KFA-ELD-SR I Eurogroove Slim Line Series Light Duty Restrictor Arm (With Knob Stopper)



TECHNICAL DATA

Size (In): 10, 12, 16

Link Bar Thickness (mm): 2.0

Packaging: 25 pairs/box

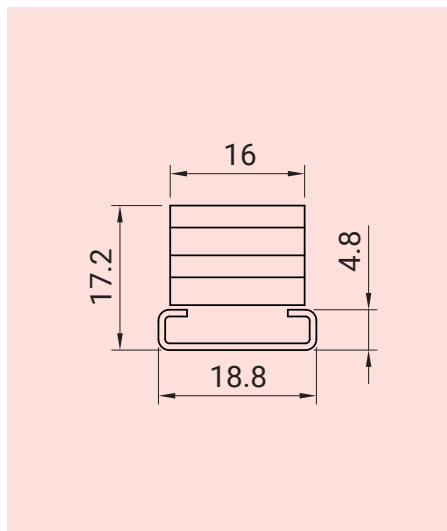
MATERIAL SPECIFICATION

Stainless Steel Grade: 304

Slider: Polyamide

Friction Stays & Allied Hardware >> Restrictor Arm Stays

KFA-LD I Light Duty Restrictor Arm



TECHNICAL DATA

Size (In): 8, 10, 12, 16

Link Bar Thickness (mm): 2.0

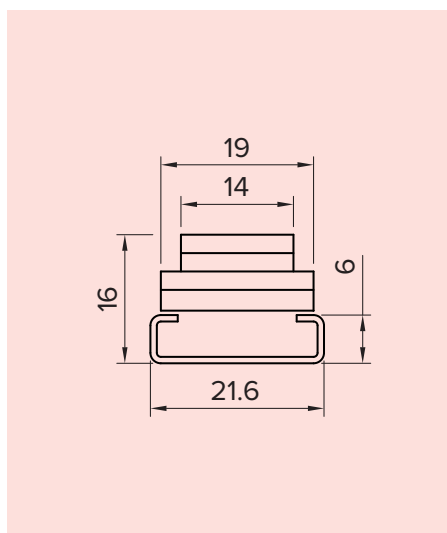
Packaging: 25 pairs/box

MATERIAL SPECIFICATION

Stainless Steel Grade: 304

Slider: Polyamide

KFA-HD I Heavy Duty Restrictor Arm



TECHNICAL DATA

Size (In): 10, 12, 16

Link Bar Thickness (mm): 2.5

Packaging: 25 pairs/box

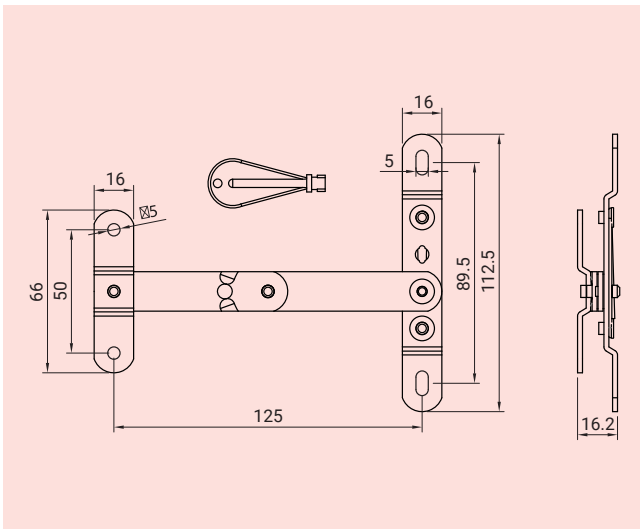
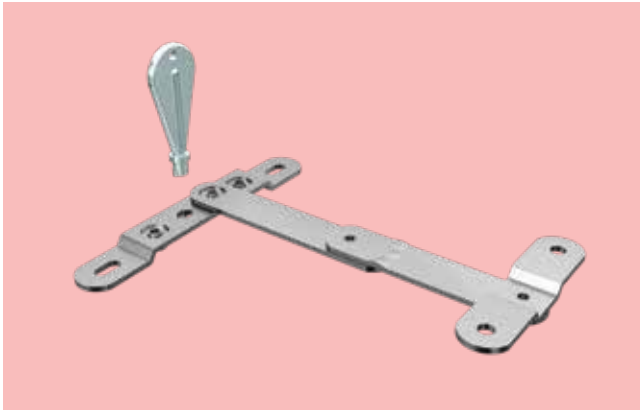
MATERIAL SPECIFICATION

Stainless Steel Grade: 304

Slider: Polyamide

Friction Stays & Allied Hardware >> Restrictor Arm Stays

KFA-CSL-01 I Child Safety Latch (Detachable Restrictor Arm)



TECHNICAL DATA

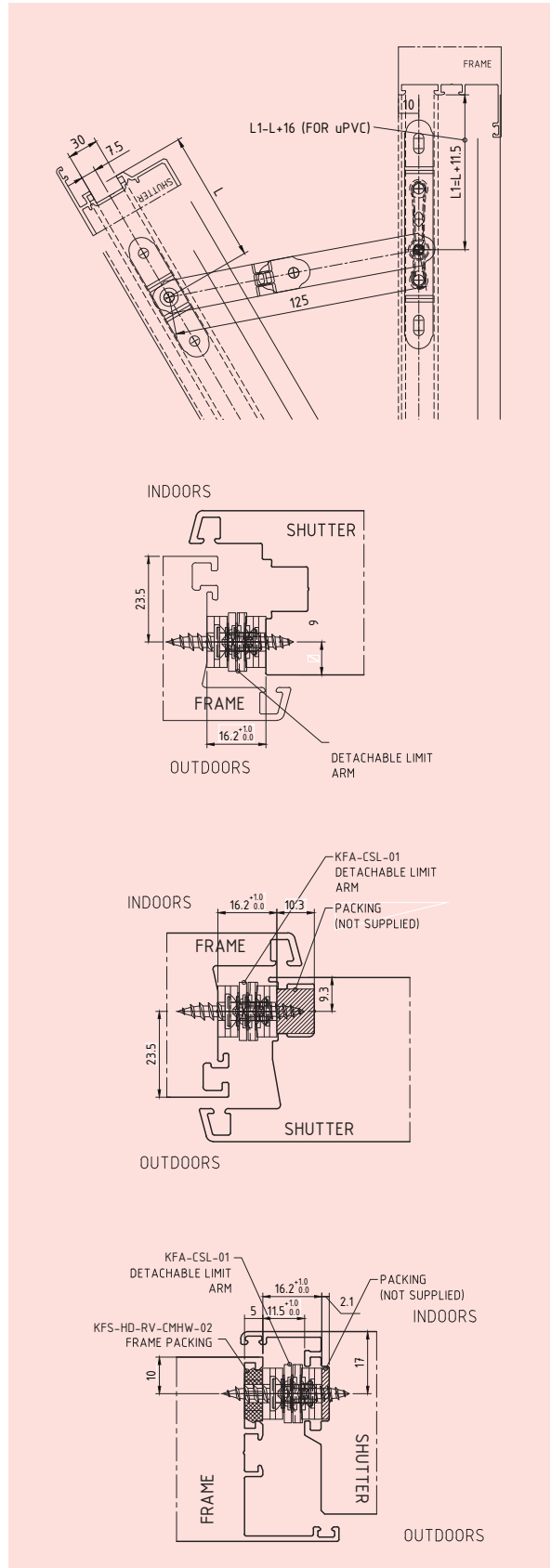
1. Suitable for the Aluminum and uPVC Frames. Stack Size 16...17 mm.
2. Detachable Restriction arm is applicable for the small size Top Hung, Side Hung and Bottom Hung Windows.
3. Top Hung (Bottom Hung) Vent Height 300...800 mm.
4. Side Hung Vent Width 300...800 mm.
5. Vent Weight Maximum 30 kg per 2 arms.

MATERIAL SPECIFICATION

SS 304
ZAMAK

Packaging: 100 pairs/box

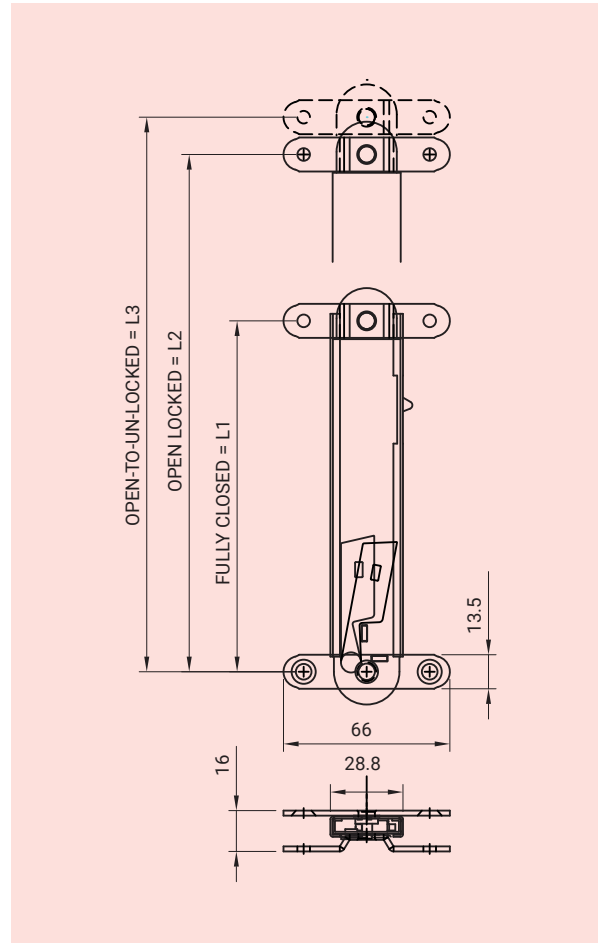
© All images are copyright of Kelegent® C/O Shree Mahavir Metal Industries



All dimensions above are in mm

Friction Stays & Allied Hardware >> Restrictor Arm Stays

KR-STAY I Support Stay Arm (Telescopic Ratchet Stay Arm)



Telescopic ratchet stay arm designed to keep top hung window shutter in the opened position. Window height H=250...400 mm. Shutter weight up to 10 Kg.

MATERIAL SPECIFICATION

SS 304

TECHNICAL DATA

Telescopic ratchet stay arms to be used in pairs, LH and RH, to assure stable and rigid shutter fixation in the opened position. Telescopic ratchet stay arm contents of two C-shaped telescopic arms. Each arm has attached pivot bracket.

Ratchet mechanism located between two arms and allows to block the sliding movement towards to close direction in one concerned "open locked" position.

Product Code	L1 (mm)	L2 (mm)	L3 (mm)
1 KRSTAY-TL-8	139.2	205	220
2 KRSTAY-TL-10	189	305	320
3 KRSTAY-TL-12	239	405	420

Packaging: 25 pairs/box