



Handles



Range

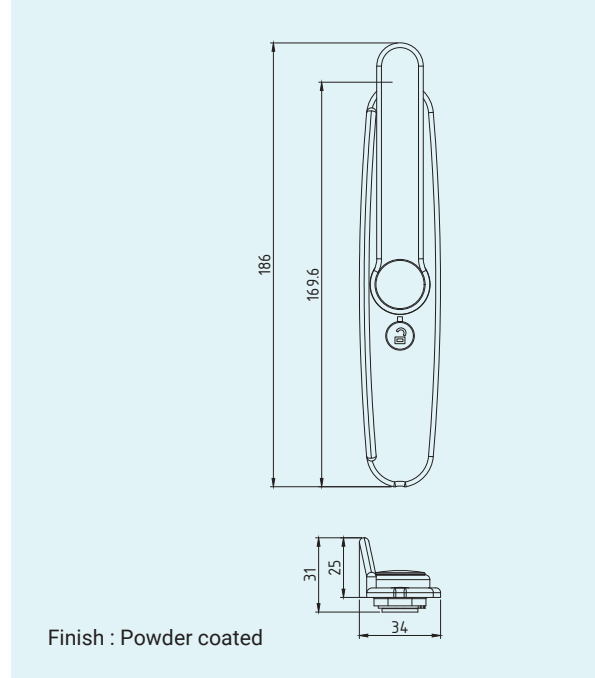
1. Spindle Handles for Sliding Door
2. Vertical Push Handle

Handles >> Spindle Handles for Sliding Door

VYU-SL-02/03 | Spindle Handles for Sliding Door

VYU-SL-02

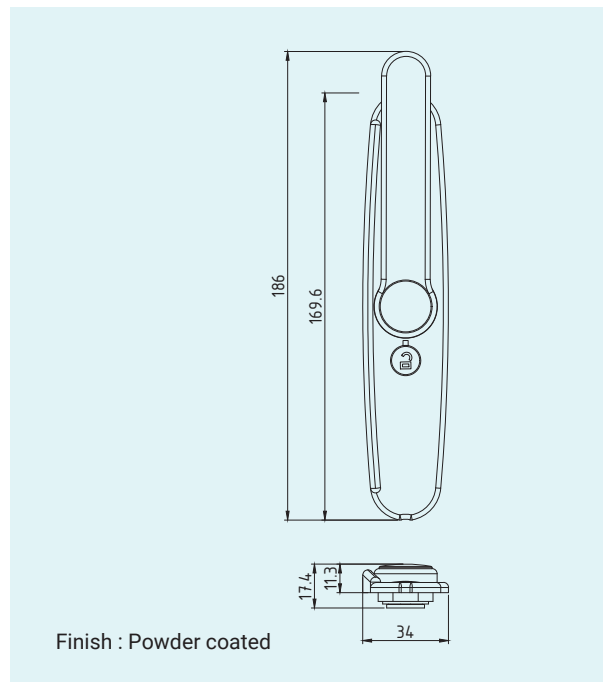
(L x W x H = 169.6 x 34 x 25 mm)



Packaging: 100 pcs/box

VYU-SL-03

(L x W x H = 169.6 x 34 x 11.3 mm)



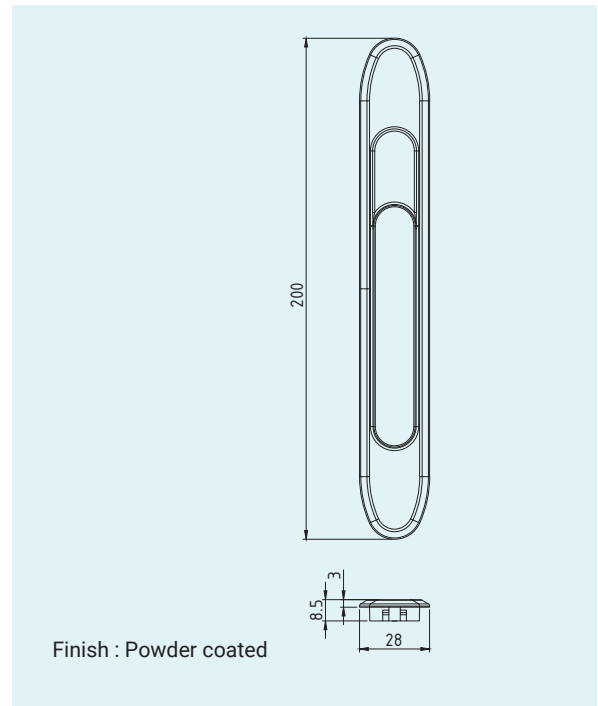
Packaging: 100 pcs/box

Handles >> Spindle Handles for Sliding Door

VYU-SL-05 I Spindle Handles for Sliding Door

VYU-SL-05

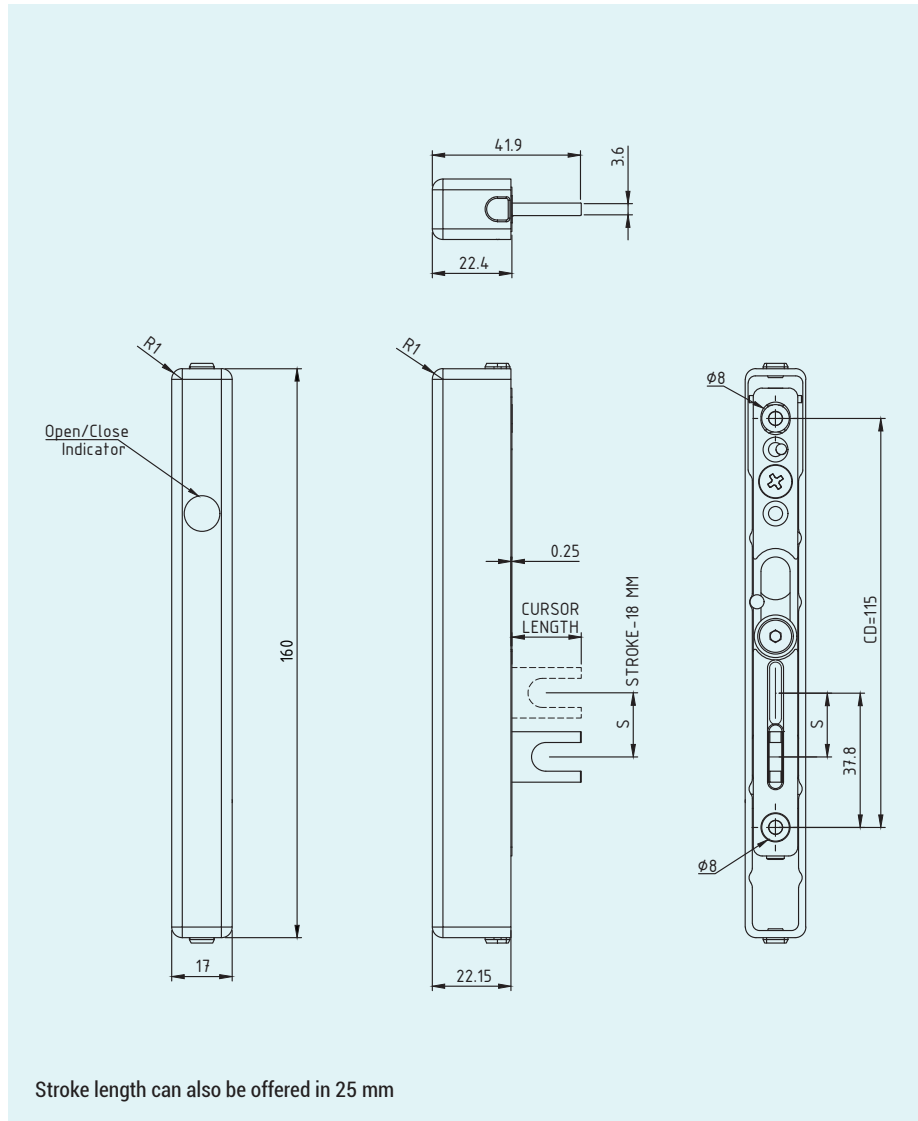
(L x W x H = 200 x 28 x 3 mm)



Packaging: 100 pcs/box

Handles >> Vertical Push Handles

VYU-SL-07-V1 (Mini) I Vertical Push Handles



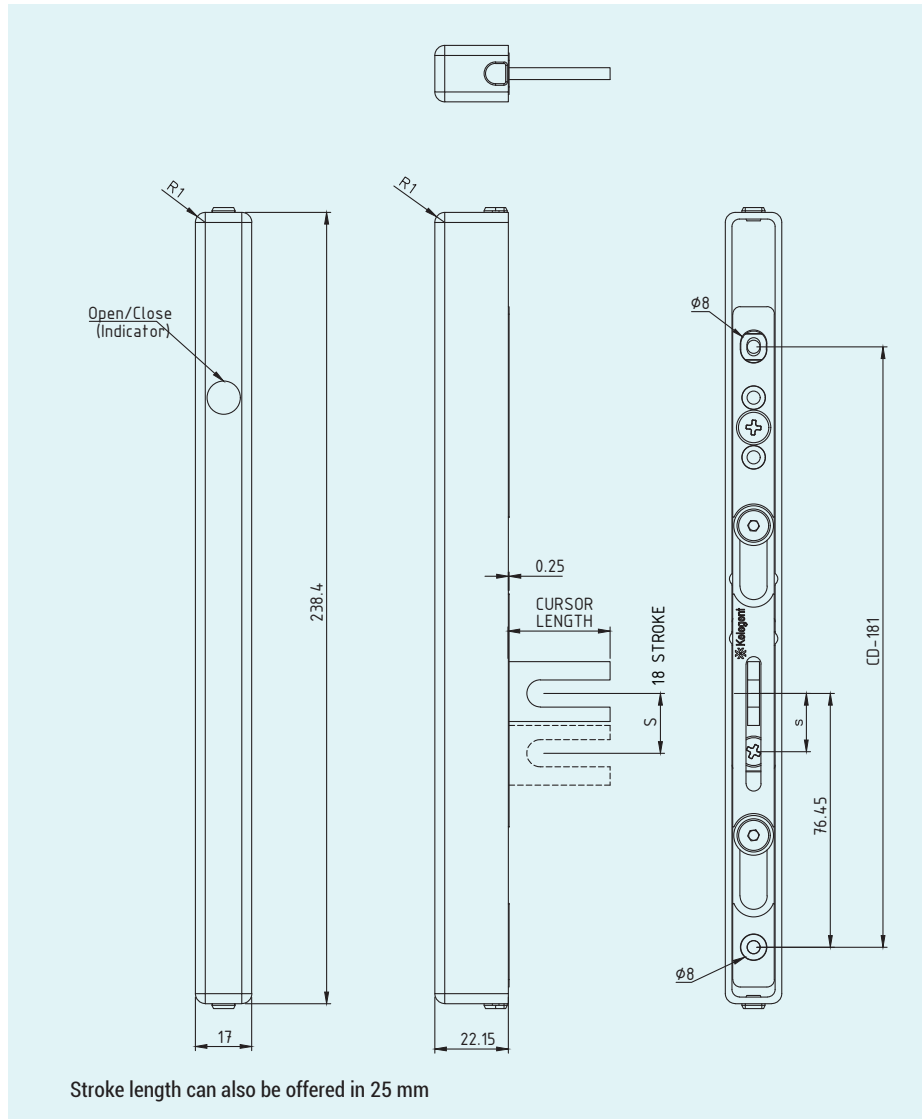
VYU-SL-07-V1-Sxx-CUxx-Rx-INx-Fxx-YY

Item Code	For x/Y	Description
S	Stroke xx	S= 18mm
CUxx / CFxx	Cursor Length xx	16L, 20L, 24L, 25L, 30L, 40L
Rx	Radius x	R0= Radius 1mm R1= Radius 3mm
INx	Indicator Option x	1= Round 2= Capsule
Fxx	Finish xx	01 = Powder Coating 02 = Anodizing
YY	Color YY	01=Black (RAL9005) 02=White (RAL9010) 03=Champagne

Packaging: 100 pcs/box

Handles >> Vertical Push Handles

VYU-SL-07I Vertical Push Handles



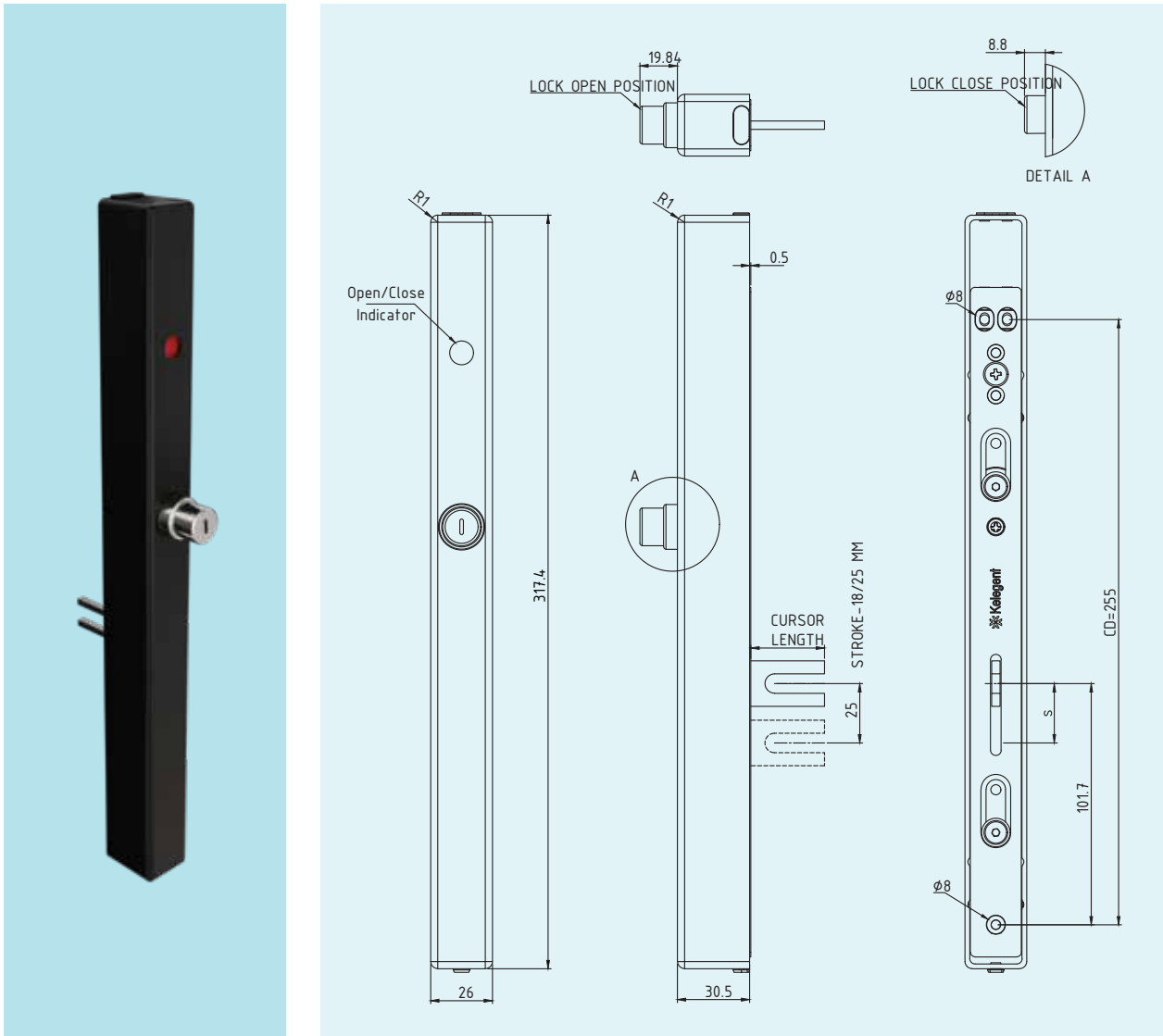
VYU-SL-07-Sxx-CUxx-Rx-INx-Fxx-YY

Item Code	For x/Y		Description
S	Stroke	xx	S= 18mm
CUxx / CFxx	Cursor Length	xx	16L, 20L, 24L, 25L, 30L, 40L
Rx	Radius	x	R0= Radius 1mm R1= Radius 3mm
INx	Indicator Option	x	1= Round 2= Capsule
Fxx	Finish	xx	01 = Powder Coating 02 = Anodizing
YY	Color	YY	01=Black (RAL9005) 02=White (RAL9010) 03=Champagne

Packaging: 100 pcs/box

Handles >> Vertical Push Handles

VYU-SL-08-KL I Vertical Push Handles



VYU-SL-08-KL-Sxx-CUxx-Rx-INx-Fxx-YY

Item Code	For x/Y	Description
S	Stroke xx	S= 18mm, 25mm
CUxx / CFxx	Cursor Length xx	16L, 20L, 24L, 25L, 30L, 40L
Rx	Radius x	R0= Radius 1mm R1= Radius 3mm
INx	Indicator Option x	1= Round 2= Capsule
Fxx	Finish xx	01 = Powder Coating 02 = Anodizing
YY	Color YY	01=Black (RAL9005) 02=White (RAL9010) 03=Champagne

Dummy model also available

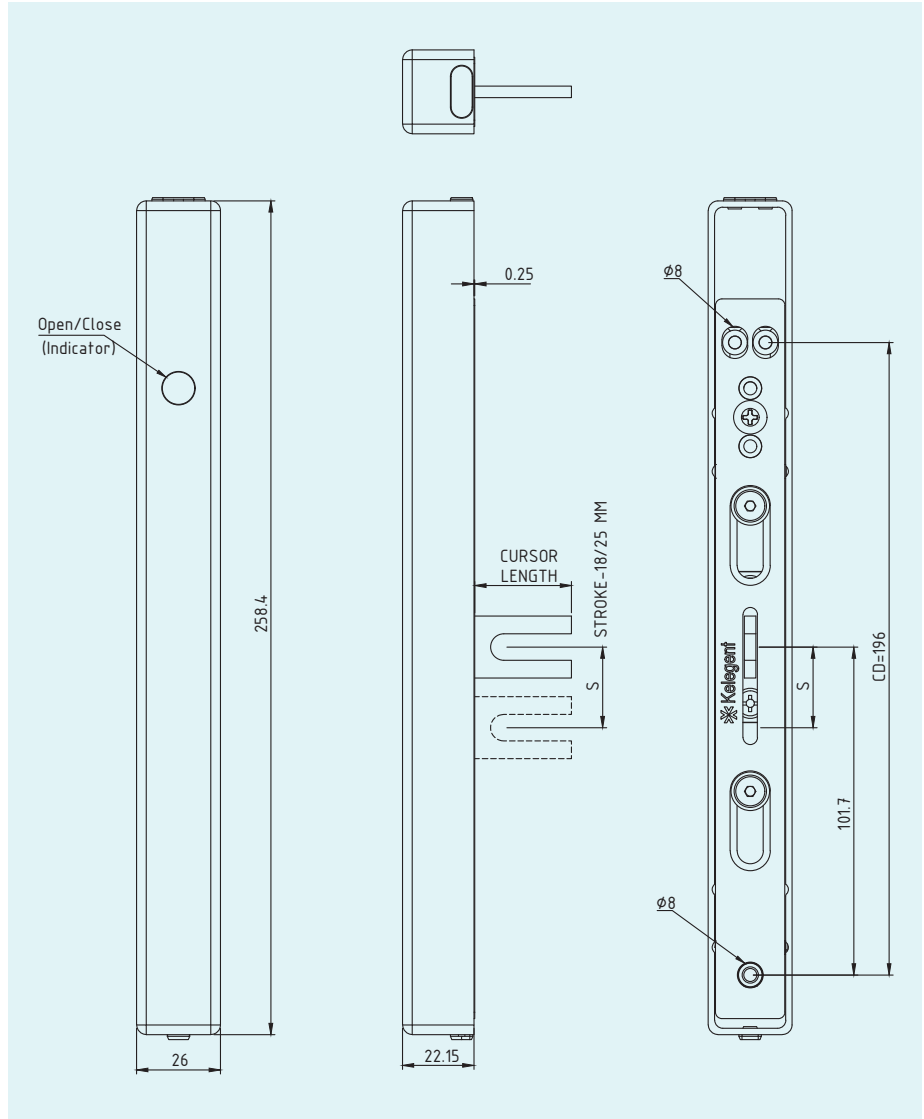
Packaging: 100 pcs/box

© All images are copyright of Kelegent® C/O Shree Mahavir Metal Industries

All dimensions above are in mm

Handles >> Vertical Push Handles

VYU-SL-09 I Vertical Push Handles



VYU-SL-09-Sxx-CUxx-Rx-INx-Fxx-YY

Item Code	For x/Y		Description
S	Stroke	xx	S= 18mm, 25mm
CUxx / CFxx	Cursor Length	xx	16L, 20L, 24L, 25L, 30L, 40L
Rx	Radius	x	R0= Radius 1mm R1= Radius 3mm
INx	Indicator Option	x	1= Round 2= Capsule
Fxx	Finish	xx	01 = Powder Coating 02 = Anodizing
YY	Color	YY	01=Black (RAL9005) 02=White (RAL9010) 03=Champagne

Packaging: 100 pcs/box