



Miscellaneous Accessories

This category includes everything from caps to shock absorbers to glass packing shims.





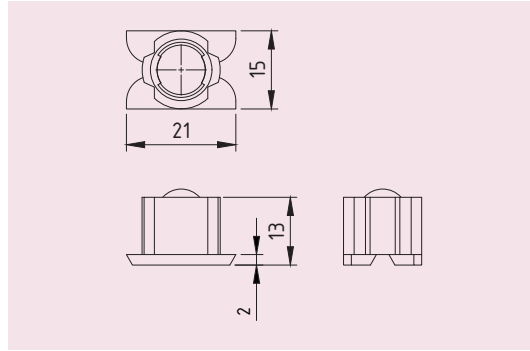
Range

1. Deflector Valves
2. Interlock Caps
3. Shock Absorbers
4. Anti-Dust Plugs
5. Flimesh Screen Handle
6. Screw Hole Cap
7. Glass Packing Shims

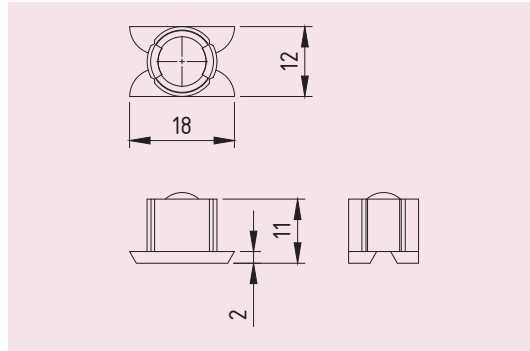
Miscellaneous Accessories >> Deflector Valves

Deflector Valves

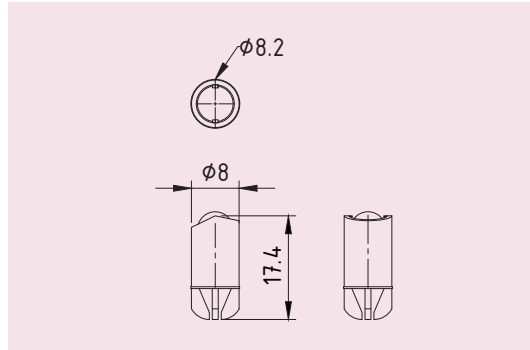
KELMISC00009



KELMISC00019



KELMISC00029



Packaging: 1000 pcs/box

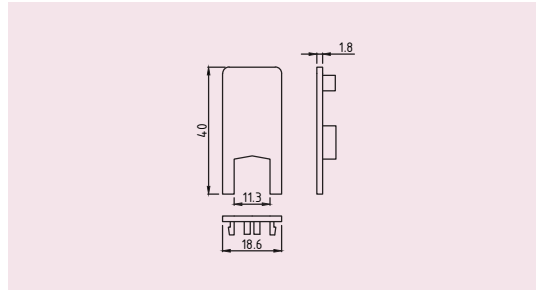
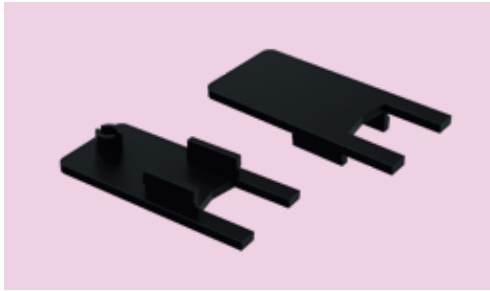
© All images are copyright of Kelegent® C/O Shree Mahavir Metal Industries

All dimensions above are in mm

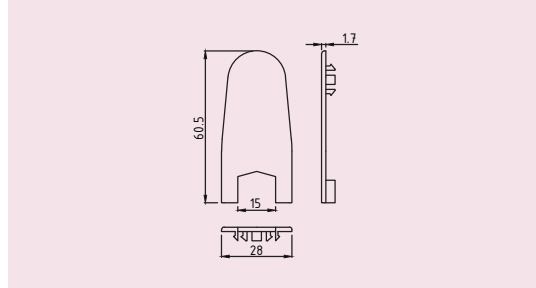
Miscellaneous Accessories >> Interlock Caps

AC-IC

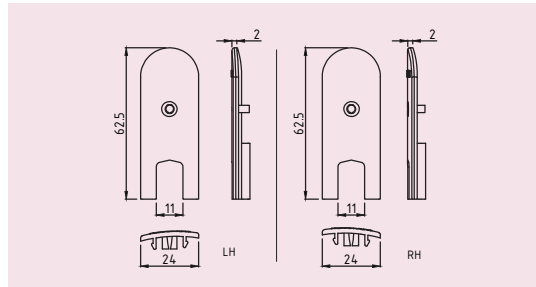
AC-IC-01



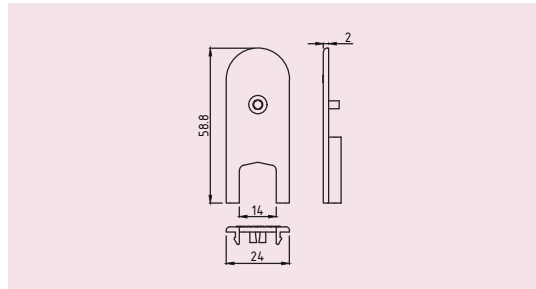
AC-IC-02



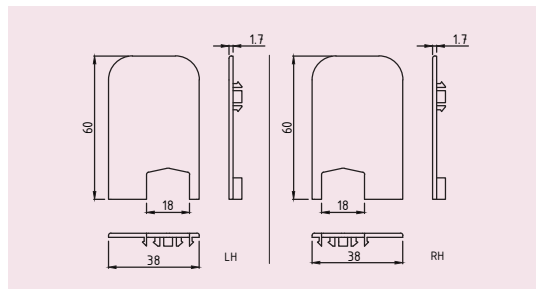
AC-IC-03



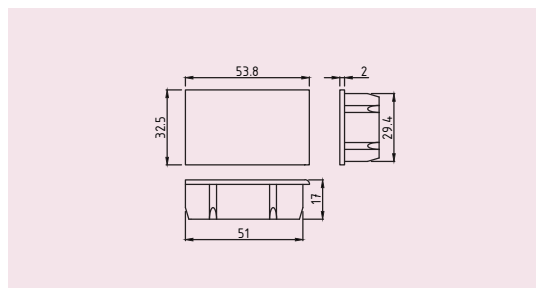
AC-IC-04



AC-IC-05



AC-IC-06



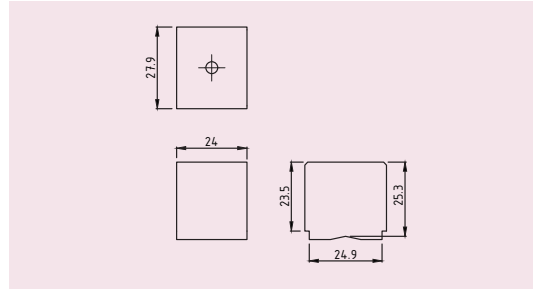
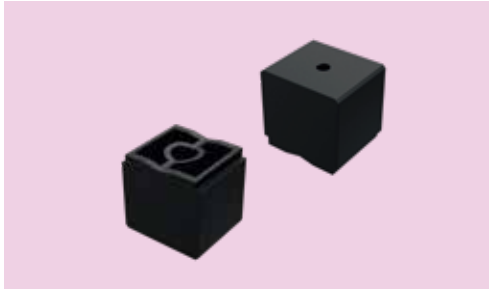
Packaging: 500 pcs/box

© All images are copyright of Kelegent® C/O Shree Mahavir Metal Industries

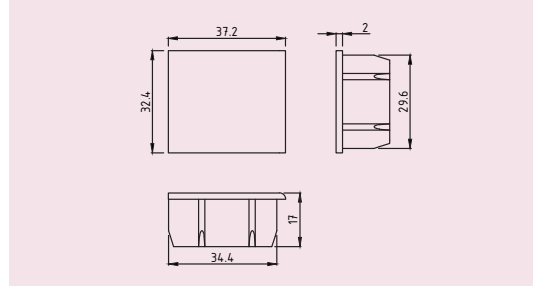
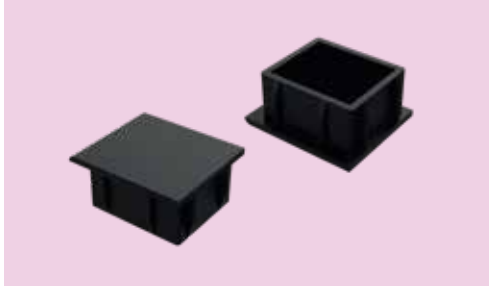
All dimensions above are in mm

Miscellaneous Accessories >> Interlock Caps

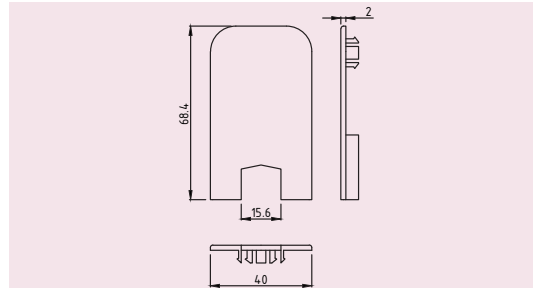
AC-IC-07



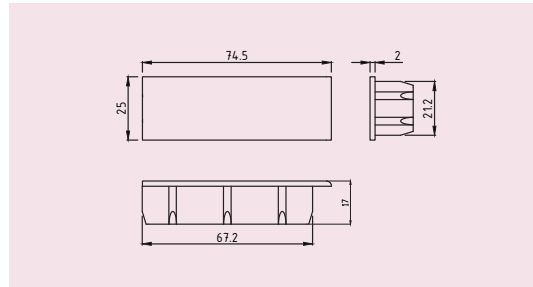
AC-IC-08



AC-IC-09



AC-IC-10



FUNCTION

Designed to cover machining on profiles after sash installation and adjustment inside the frames.

FINISH

Natural

MATERIAL SPECIFICATION

Polyamide

TECHNICAL FEATURES

- Caps bodies are made of black NYLON. To be fixed on the top and bottom parts of the interlock profiles after installation and adjustments of the sash inside the frames.
- Fixation on profiles provided by the "hook" type clips, or small screws with expanded plastic ribs on the back side of the caps, to have a nice aesthetic view.
- Recommended for suitable sliding interlock profiles to cover machined slots and improve aesthetic view.

Packaging: 500 pcs/box

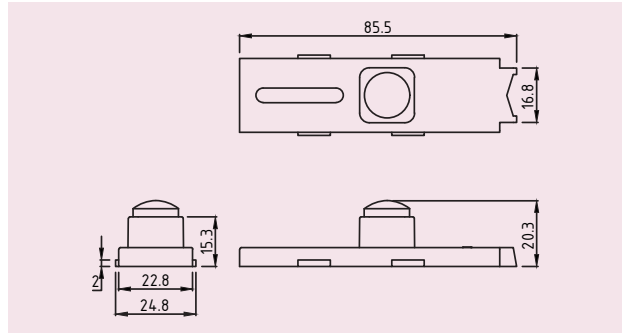
© All images are copyright of Kelegent® C/O Shree Mahavir Metal Industries

All dimensions above are in mm

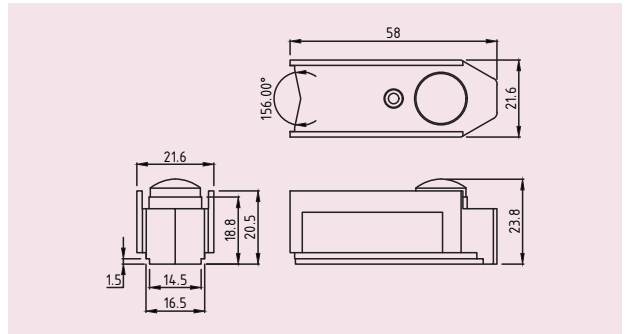
Miscellaneous Accessories >> Shock Absorbers

AC-SA

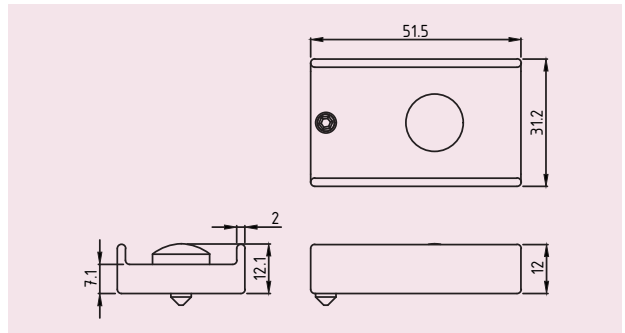
AC-SA-01



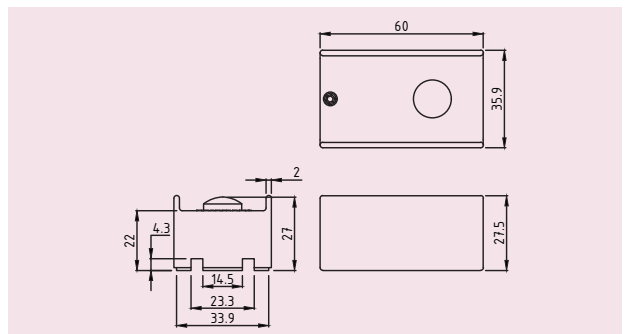
AC-SA-03



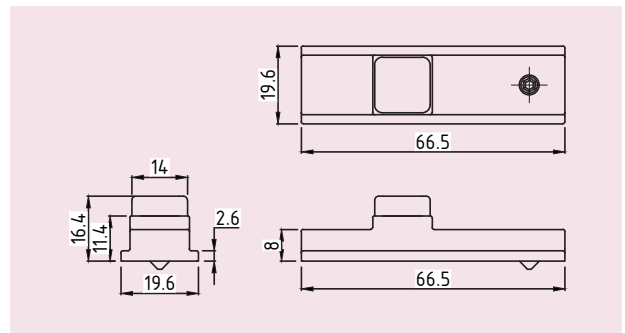
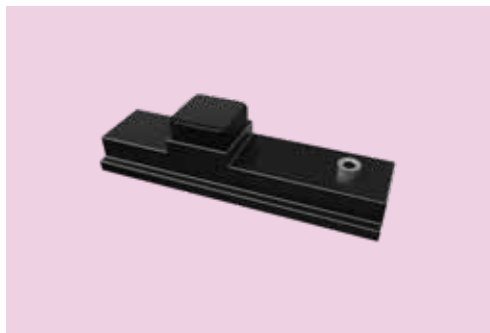
AC-IC-04



AC-SA-05



AC-SA-17



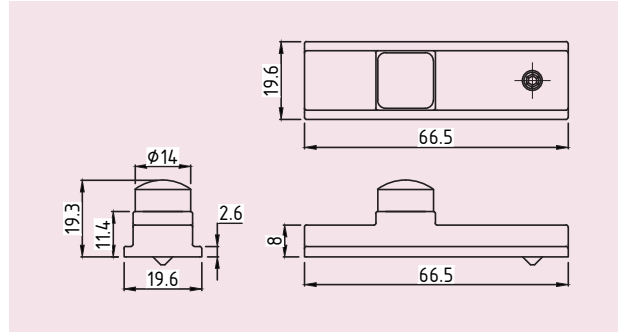
Packaging: 250 pcs/box

© All images are copyright of Kelegent® C/O Shree Mahavir Metal Industries

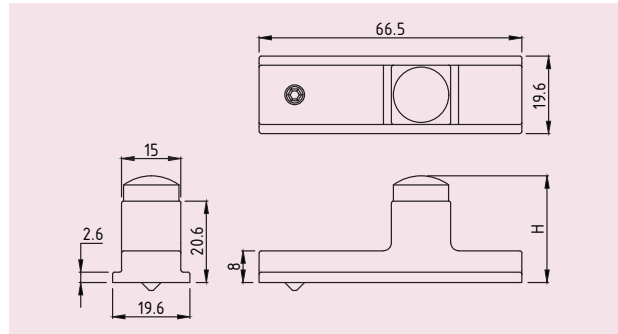
All dimensions above are in mm

Miscellaneous Accessories >> Shock Absorbers

AC-SA-18

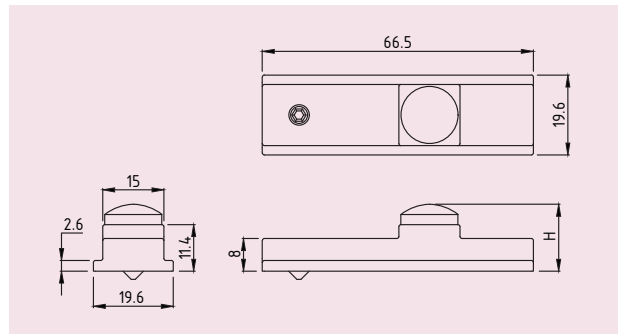


AC-SA-07
AC-SA-08
AC-SA-09
AC-SA-10
AC-SA-15



Item Code	H (mm)
AC-SA-07	27.0
AC-SA-08	34.7
AC-SA-09	25.6
AC-SA-10	23.1
AC-SA-15	30.2

AC-SA-12
AC-SA-13
AC-SA-14



Item Code	H (mm)
AC-SA-12	16.4
AC-SA-13	17.8
AC-SA-14	13.9

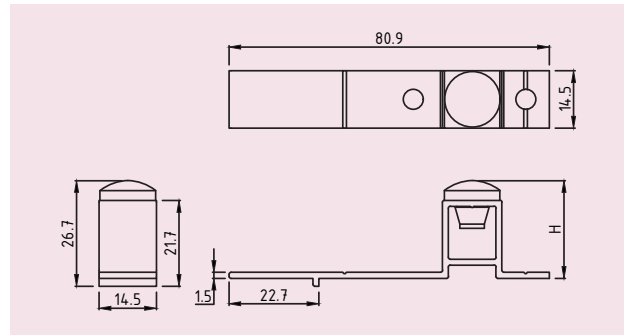
Packaging: 250 pcs/box

© All images are copyright of Kelegent® C/O Shree Mahavir Metal Industries

All dimensions above are in mm

Miscellaneous Accessories >> Shock Absorbers

AC-SA-02
AC-SA-06
AC-SA-11



Item Code	H (mm)
AC-SA-02	24.7
AC-SA-06	26.0
AC-SA-11	33.7

FUNCTION

Prevents damage of the frames when the sash crashes against the frame profile, locks the sash inside the frame, prevents the sash to be lifted and removed out of the frame.

FINISH

Natural

PARTS WITH MATERIAL SPECIFICATION

Polyamide or extruded aluminium body;
EPDM moulded rubber round pad.

TECHNICAL FEATURES

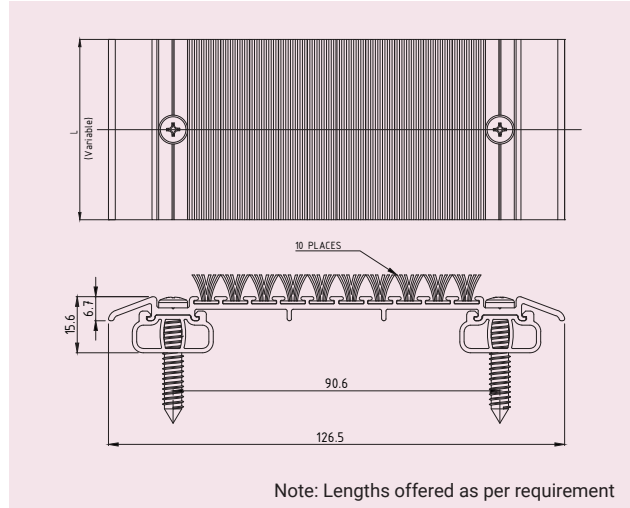
Devices body could be made of Polyamide or aluminium

- Extruded profile.
- Equipped with:
 - » Round rubber pad for shock absorbance;
 - » Steel grub screw, or screw holes (or oval slots) for adjustment and fixation on sash profile.
- To be fixed on the top and bottom parts of the sash profile vertical groove and adjusted for anti-lift function after sash installed inside the frame.
- Recommended for suitable sliding sash and frame profiles for safety and security purpose.

Packaging: 250 pcs/box

Miscellaneous Accessories >> Anti-Dust Plugs

AC-AD-03 | Anti-Dust Plugs



FUNCTION

Anti-dust plugs used to conceal the gap between sliding frame rails and the sash profiles interlock on the middle of the top and bottom frame profile.

FINISH

Black anodized, natural.

PARTS WITH MATERIAL SPECIFICATION

2 nos. 4.2x19 DIN7982 A4 pan-head self-tapping screws, stainless steel.

Pile brush, Extruded aluminum, EPDM gasket.

TECHNICAL FEATURES

Anti-dust plug contents:

- Aluminum extruded brush holder,
- 6 mm pile brush strips,
- 2 nos. of EPDM gasket,
- 2 nos. 4.2x19 stainless steel pan-head self-tapping screws.

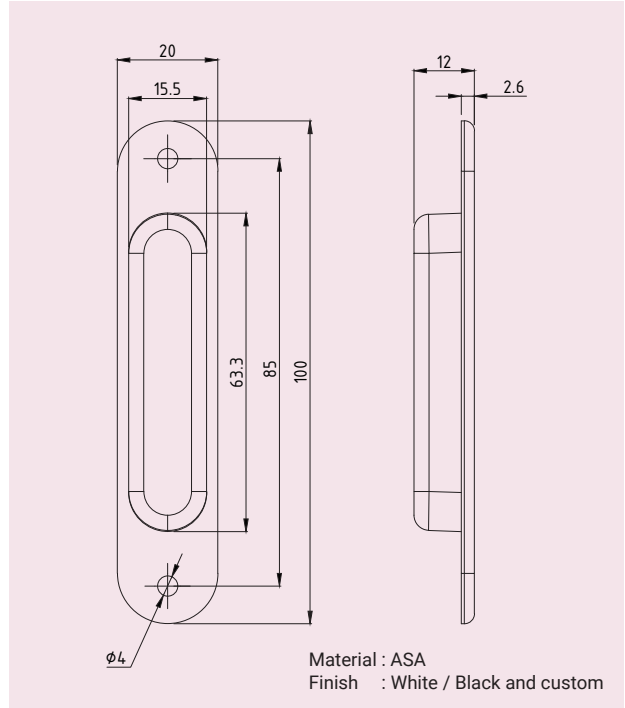
Brush holder, pile brush strips and EPDM gaskets could have various cut lengths, depends from the gap between rails of the sliding frame. EPDM gaskets act as a spring, pushing aluminum brush holder upwards, against the base surface. Tightening, or loosening, of the screws steadily adjusts necessary height of the anti-dust plugs from the bottom surface of the gap between sliding frame rails, to achieve required value. For less than 15.1 mm required height, anti-dust plug could be used without EPDM gaskets.

Different pile brush height size could be applied, if required.

Packaging: 250 pcs/box

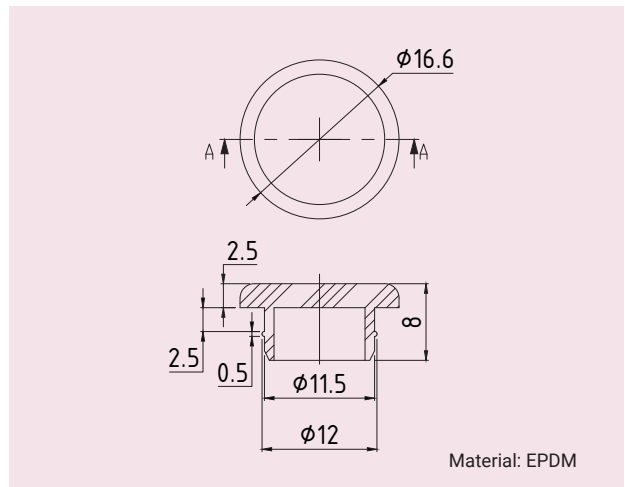
Miscellaneous Accessories

KMI-HDL-01 | Flymesh Screen Handle



Packaging: 500 pcs/box

AC-07 | Screw Hole Cap



Packaging: 2500 pcs/box

Glass Packing Shims



Rectangular Glass Packers

Size (L x W) in mm	Thickness range
100 X 20	2 - 6 mm
100 X 26	2 - 6 mm
100 X 30	2 - 6 mm

Material: PP

Packaging: 500 pcs/box