



Sliding Roller Assemblies

An extensive range of highly engineered roller assemblies with load capacities upto 600kgs. Customized solutions with variable load capacity available.

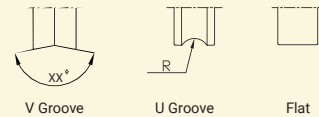


Key Features

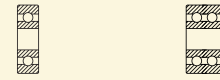
1. Standard and custom solutions available for shutter load ranging upto 600 kgs
2. Universal roller designs enable to adapt and offer customized solutions with negligible development lead times
3. Specialized solutions for Slim / Minimal sliding systems
4. Conforms to International Endurance Test standards

Legend

Wheel Type

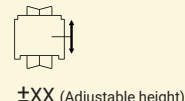
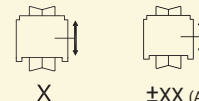


Wheel Bearings



Single Row Ball Bearing Double Row Ball Bearing

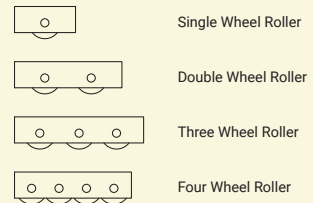
Roller Wheel Height Adjustment



Fixed Wheel Roller

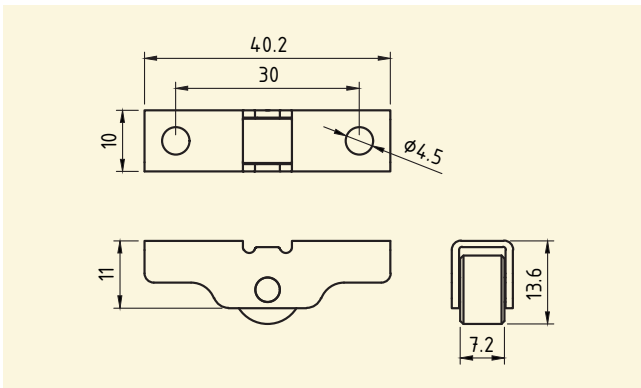
±XX (Adjustable height)
Adjustable Wheel Roller

Wheel Rollers

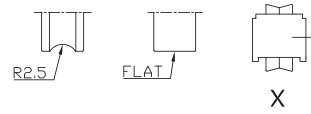


Sliding Roller Assemblies >> Flymesh Shutter Rollers

KRO-06-V1 | Flymesh Roller



FEATURES



MATERIAL

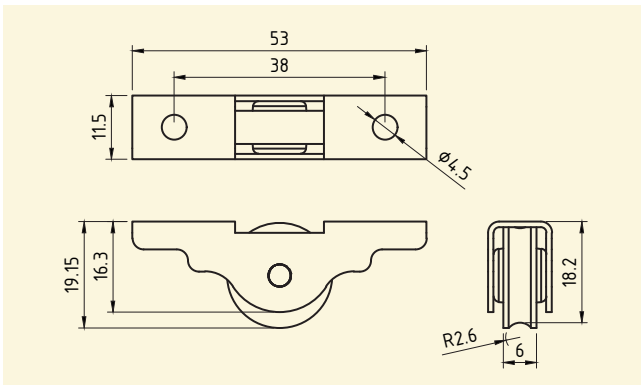
| | |
|----------|------------|
| Carriage | GI, SS 304 |
| Wheel | POM |

PRODUCT CODE

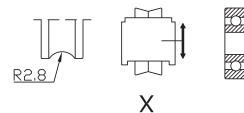
| | | |
|---|-----------|---|
| A | KRO-06-V1 | Carbon Steel HSG with Flat POM Wheel |
| B | KRO-06-V1 | Carbon Steel HSG with Grooved POM Wheel |
| C | KRO-06-V1 | SS HSG with Flat POM Wheel |
| D | KRO-06-V1 | SS HSG with Grooved POM Wheel |

Packaging: 500 pcs/box

KRO-23 | Fixed Single Wheel Roller



FEATURES



MATERIAL

| | |
|----------|------------|
| Carriage | GI, SS 304 |
| Wheel | POM |

MAXIMUM LOAD CAPACITY

| | |
|---|--------------------|
|  | 40 kg. / 2 rollers |
|---|--------------------|

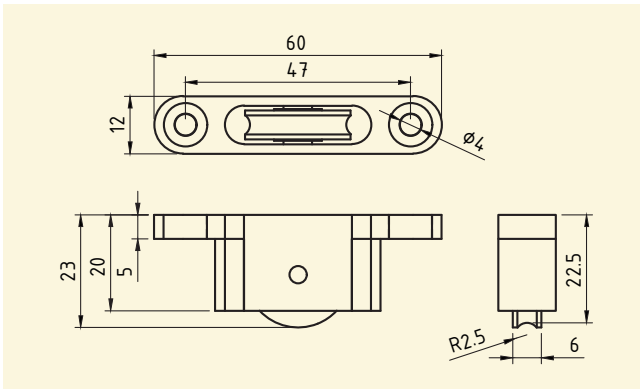
PRODUCT CODE

| | | |
|---|--------|--|
| A | KRO-23 | Carbon Steel HSG with Polymer Wheel |
| B | KRO-23 | Stainless Steel HSG with Polymer Wheel |

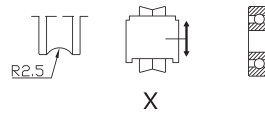
Packaging: 500 pcs/box

Sliding Roller Assemblies >> Flymesh Shutter Rollers

KRO-27 I Fixed Single Wheel Roller



FEATURES



MATERIAL

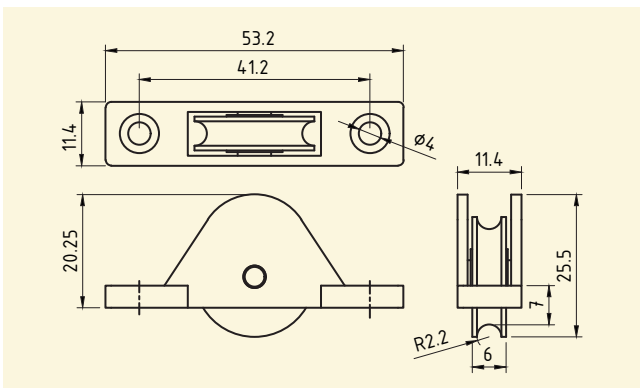
| | |
|----------|-----------|
| Carriage | Polyamide |
| Wheel | POM |

MAXIMUM LOAD CAPACITY

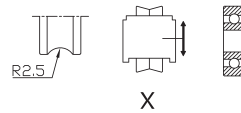
| | |
|--|--------------------|
| | 20 kg. / 2 rollers |
|--|--------------------|

Packaging: 500 pcs/box

KRO-34 I Fixed Single Wheel Roller



FEATURES



MATERIAL

| | |
|----------|-----------|
| Carriage | Polyamide |
| Wheel | POM |

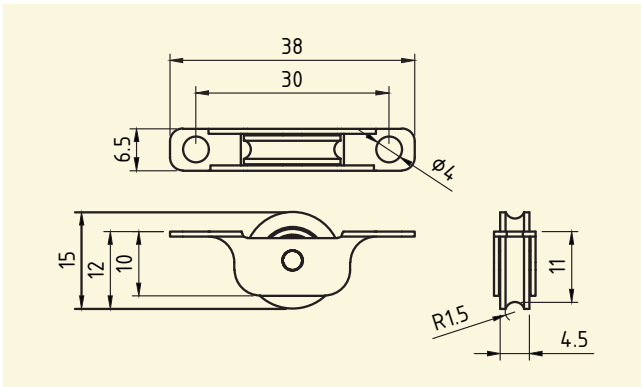
MAXIMUM LOAD CAPACITY

| | |
|--|--------------------|
| | 20 kg. / 2 rollers |
|--|--------------------|

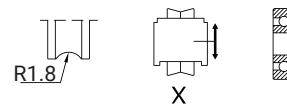
Packaging: 500 pcs/box

Sliding Roller Assemblies >> Flymesh Shutter Rollers

KRO-35 I Flymesh Roller



FEATURES



MATERIAL

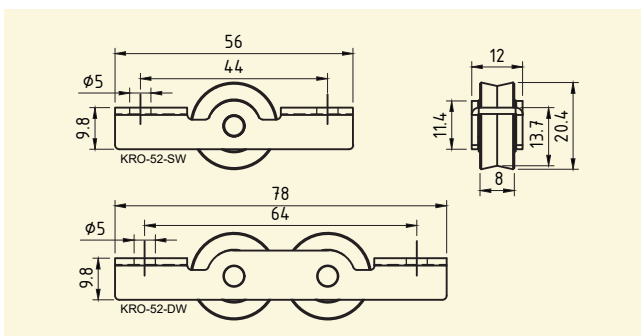
| | |
|----------|-----|
| Carriage | GI |
| Wheel | POM |

MAXIMUM LOAD CAPACITY

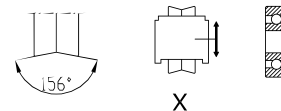


Packaging: 500 pcs/box

KRO-52-SW/DW I Fixed Single / Double Wheel Roller



FEATURES



MATERIAL

| | |
|----------|--------|
| Carriage | SS 304 |
| Wheel | POM |

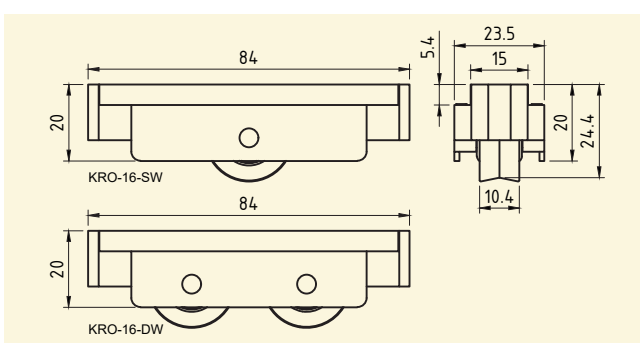
MAXIMUM LOAD CAPACITY



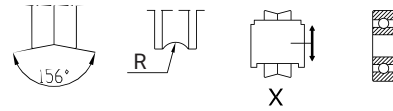
Packaging: 500 pcs/box

Sliding Roller Assemblies >> Polyamide Housing Rollers

KRO-16-SW/DW | Fixed Single/ Double Wheel Roller



FEATURES



MATERIAL

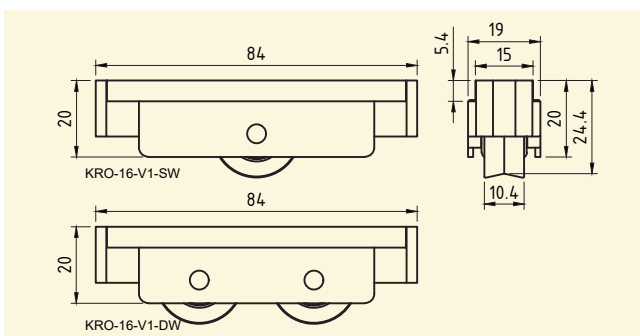
| | |
|----------|-----------|
| Carriage | Polyamide |
| Wheel | POM |

MAXIMUM LOAD CAPACITY

| | |
|--|---------------------|
| | 60 kg. / 2 rollers |
| | 120 kg. / 2 rollers |

Packaging: 250 pcs/box

KRO-16-V1-SW/DW | Fixed Single/ Double Wheel Roller



FEATURES



MATERIAL

| | |
|----------|-----------|
| Carriage | Polyamide |
| Wheel | POM |

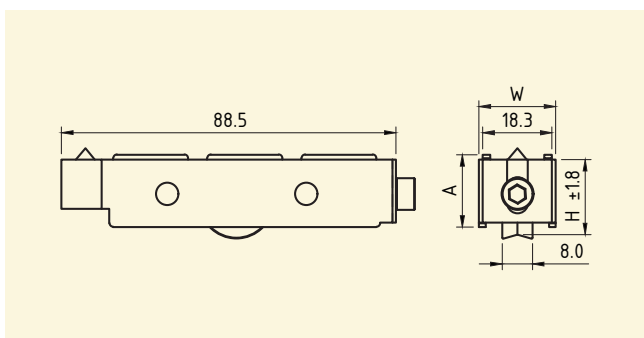
MAXIMUM LOAD CAPACITY

| | |
|--|---------------------|
| | 60 kg. / 2 rollers |
| | 120 kg. / 2 rollers |

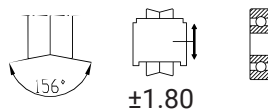
Packaging: 250 pcs/box

Sliding Roller Assemblies >> Polyamide Housing Rollers

KRO-36 I Adjustable Single Wheel Roller



FEATURES



MATERIAL

| | |
|----------|-----------|
| Carriage | Polyamide |
| Wheel | POM |

MAXIMUM LOAD CAPACITY

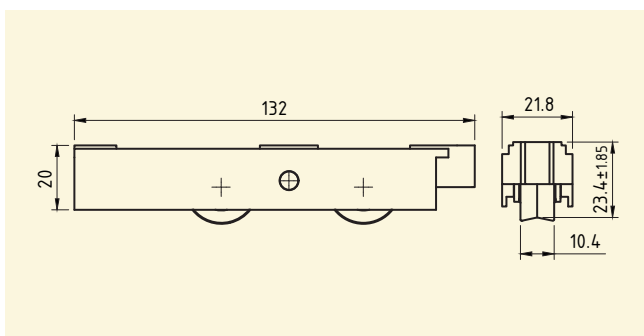
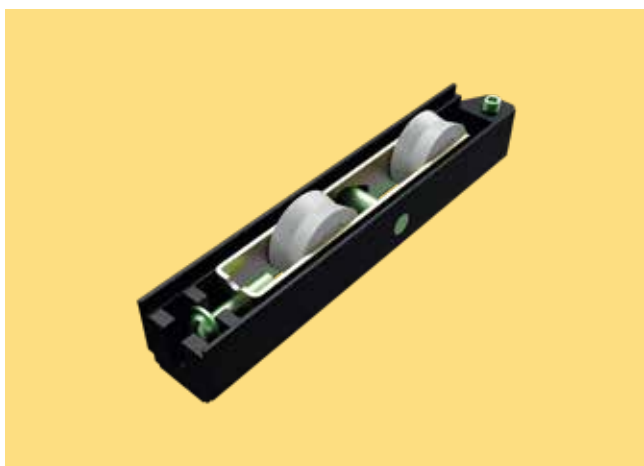
| | |
|--|--------------------|
| | 60 kg. / 2 rollers |
|--|--------------------|

PRODUCT DETAILS

| PRODUCT CODE | A | W | H |
|--------------|------|------|------|
| KRO-36-SW-V1 | 23.1 | 22.7 | 21.7 |
| KRO-36-SW-V2 | 18.0 | 22.7 | 22.6 |
| KRO-36-SW-V3 | 19.2 | 20.3 | 19.9 |

Packaging: 250 pcs/box

KRO-24 I Adjustable Double Wheel Roller



FEATURES



MATERIAL

| | |
|----------------|-----------|
| Outer Carriage | Polyamide |
| Inner Carriage | GI |
| Wheel | POM |

MAXIMUM LOAD CAPACITY

| | |
|--|---------------------|
| | 160 kg. / 2 rollers |
|--|---------------------|

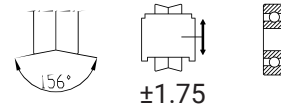
Packaging: 250 pcs/box

Sliding Roller Assemblies >> Polyamide Housing Rollers

KRO-58-SW/DW | Adjustable Single/Double Wheel Roller



FEATURES



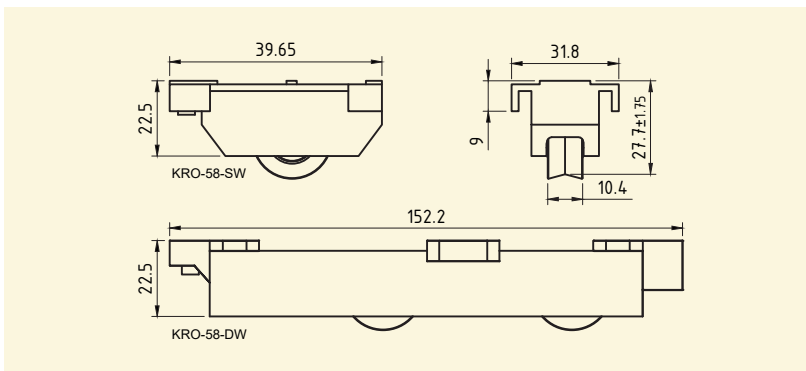
MATERIAL

| | |
|----------------|---------------|
| Carriage | Polyamide |
| Inner Carriage | ZAMAK Diecast |
| Wheel | POM |

MAXIMUM LOAD CAPACITY

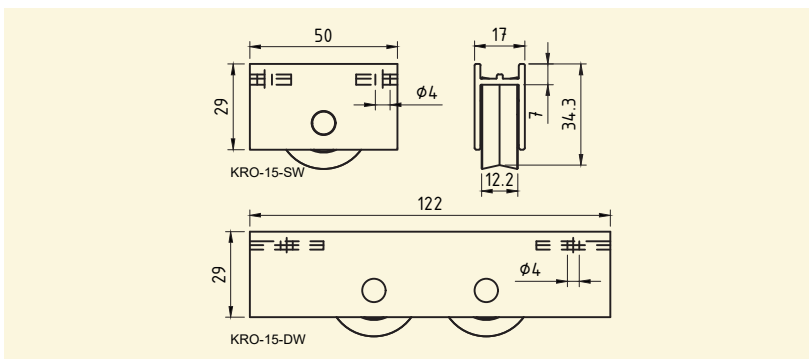
| | |
|--|---------------------|
| | 80 kg. / 2 rollers |
| | 160 kg. / 2 rollers |

Packaging: 250 pcs/box

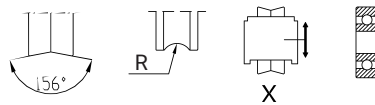


Sliding Roller Assemblies >> Universal Design Rollers

KRO-15 I Fixed Single/ Double Wheel Roller



FEATURES



MATERIAL

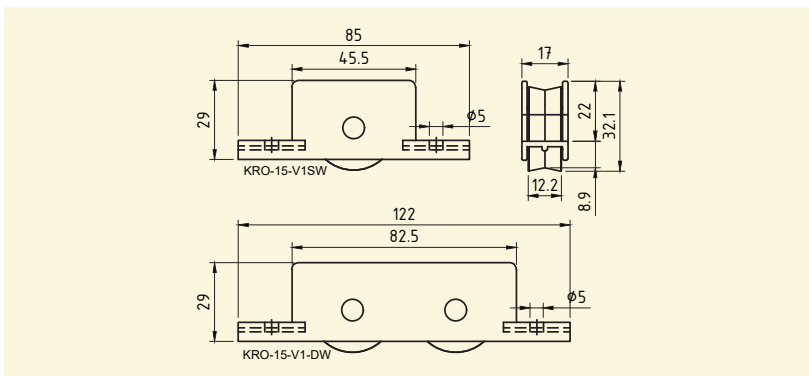
| | |
|----------|-----------|
| Carriage | Aluminium |
| Wheel | POM |

MAXIMUM LOAD CAPACITY

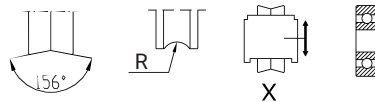
| | |
|--|---------------------|
| | 100 kg. / 2 rollers |
| | 200 kg. / 2 rollers |

Packaging: 250 pcs/box

KRO-15-V1 I Fixed Single/ Double Wheel Roller



FEATURES



MATERIAL

| | |
|----------|-----------|
| Carriage | Aluminium |
| Wheel | POM |

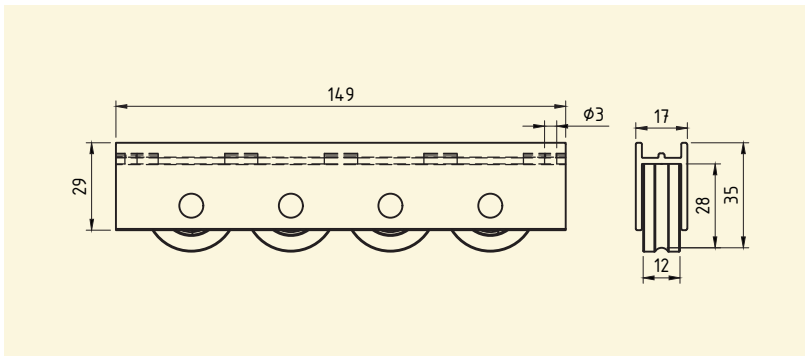
MAXIMUM LOAD CAPACITY

| | |
|--|---------------------|
| | 100 kg. / 2 rollers |
| | 200 kg. / 2 rollers |

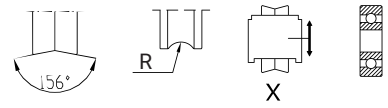
Packaging: 250 pcs/box

Sliding Roller Assemblies >> Universal Design Rollers

KRO-15-4W I Fixed Four Wheel Roller



FEATURES



MATERIAL

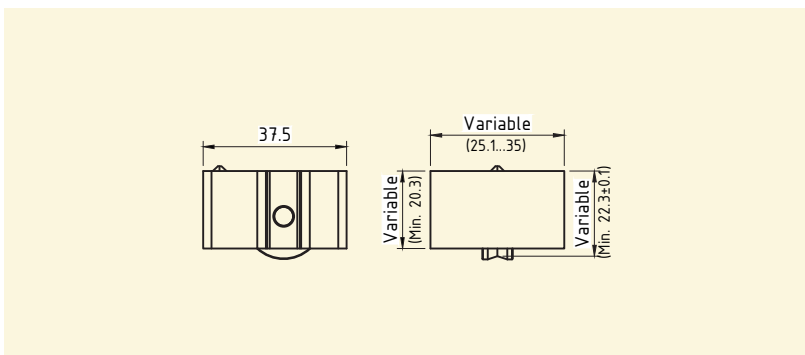
| | |
|----------|-----------|
| Carriage | Aluminium |
| Wheel | POM |

MAXIMUM LOAD CAPACITY

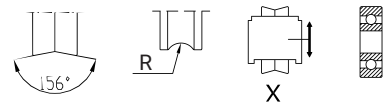
| | |
|--|---------------------|
| | 400 kg. / 2 rollers |
|--|---------------------|

Packaging: 250 pcs/box

KRO-26 I Fixed Single Wheel Roller



FEATURES



MATERIAL

| | |
|----------|-----------|
| Carriage | Aluminium |
| Wheel | POM |

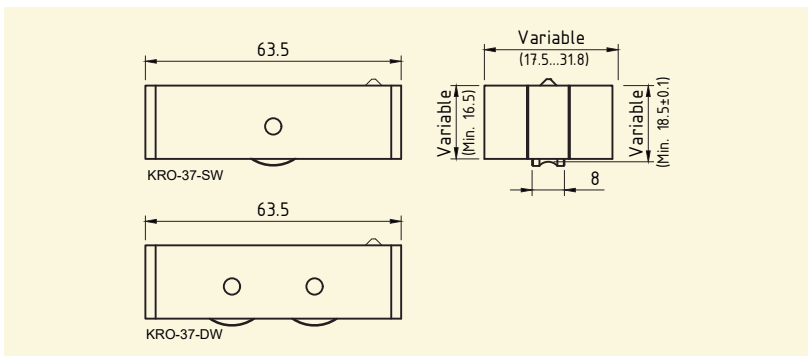
MAXIMUM LOAD CAPACITY

| | |
|--|--------------------|
| | 80 kg. / 2 rollers |
|--|--------------------|

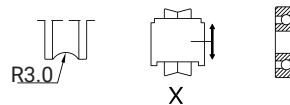
Packaging: 250 pcs/box

Sliding Roller Assemblies >> Universal Design Rollers

KRO-37 | Fixed Single / Double Wheel Roller



FEATURES



MATERIAL

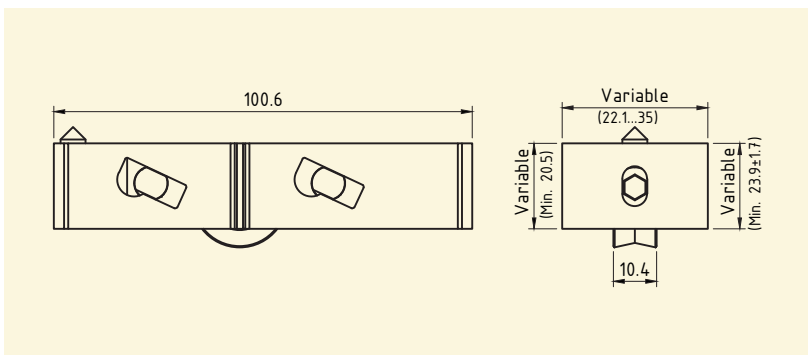
| | |
|----------|-------------|
| Carriage | Aluminium |
| Wheel | POM, SS 304 |

MAXIMUM LOAD CAPACITY

| | |
|--|---------------------|
| | 80 kg. / 2 rollers |
| | 160 kg. / 2 rollers |

Packaging: 250 pcs/box

KRO-41 | Adjustable Single Wheel Roller



FEATURES



MATERIAL

| | |
|----------|-----------|
| Carriage | Aluminium |
| Wheel | POM |

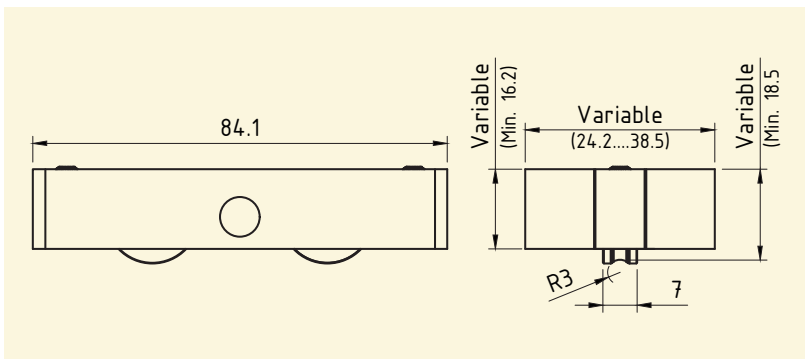
MAXIMUM LOAD CAPACITY

| | |
|--|---------------------|
| | 100 kg. / 2 rollers |
|--|---------------------|

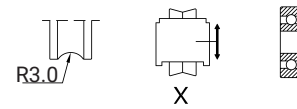
Packaging: 250 pcs/box

Sliding Roller Assemblies >> Universal Design Rollers

KRO-51 I Self Balancing Fixed Double Wheel Roller



FEATURES



MATERIAL

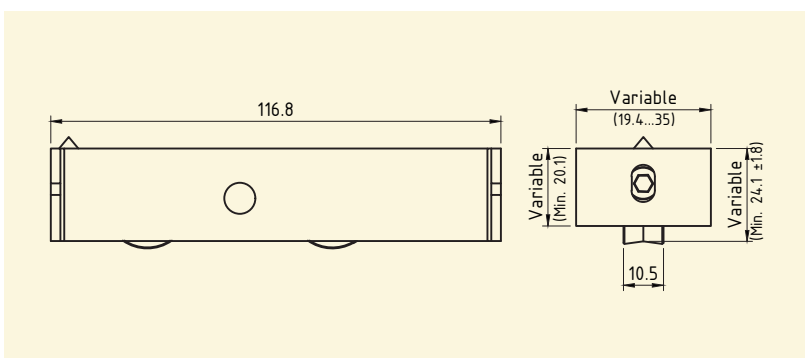
| | |
|----------|-------------|
| Carriage | Aluminium |
| Wheel | POM, SS 304 |

MAXIMUM LOAD CAPACITY

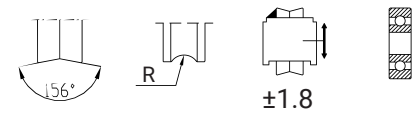
| | |
|--|---------------------|
| | 160 kg. / 2 rollers |
|--|---------------------|

Packaging: 250 pcs/box

KRO-25 I Adjustable Double Wheel Roller



FEATURES



MATERIAL

| | |
|----------------|-------------|
| Outer Carriage | Aluminium |
| Inner Carriage | SS 304 |
| Wheel | POM, SS 304 |

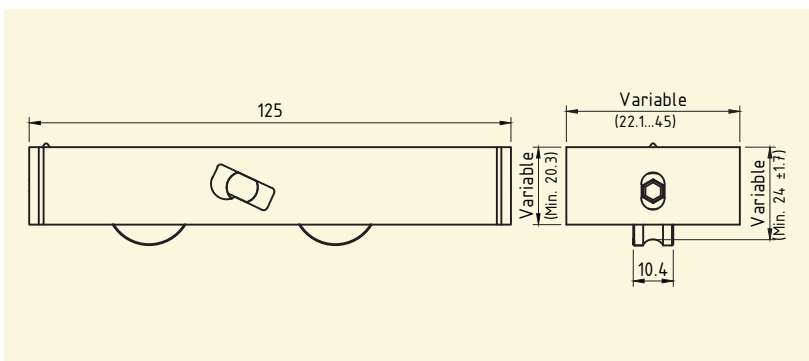
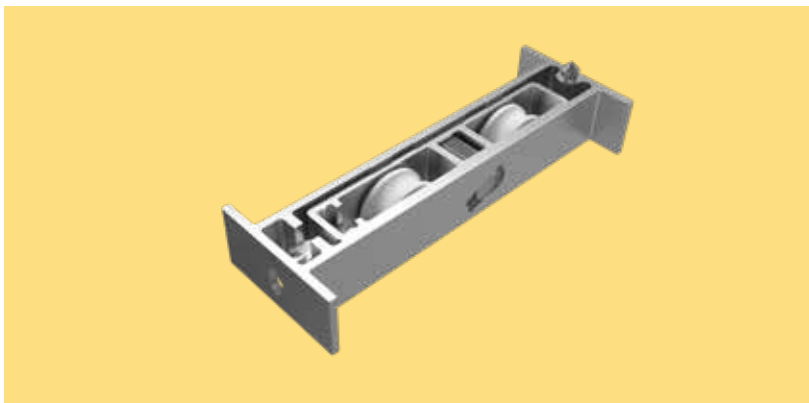
MAXIMUM LOAD CAPACITY

| | |
|--|---------------------|
| | 160 kg. / 2 rollers |
|--|---------------------|

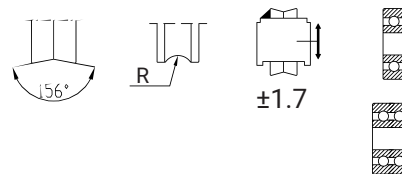
Packaging: 250 pcs/box

Sliding Roller Assemblies >> Universal Design Rollers

KRO-38 | Adjustable Double Wheel Roller



FEATURES



MATERIAL

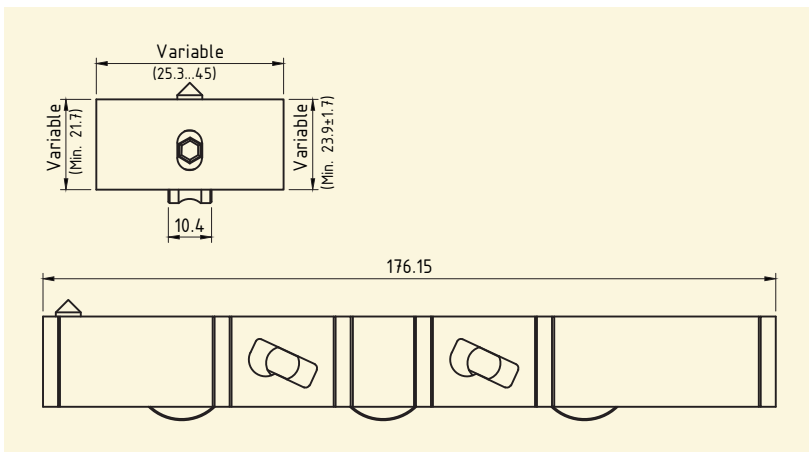
| | |
|----------|-------------|
| Carriage | Aluminium |
| Wheel | POM, SS 304 |

MAXIMUM LOAD CAPACITY

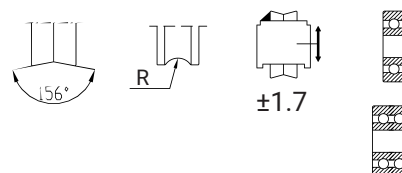
| | |
|--|---------------------|
| | 200 kg. / 2 rollers |
|--|---------------------|

Packaging: 250pcs/box

KRO-39 | Adjustable Three Wheel Roller



FEATURES



MATERIAL

| | |
|----------|-------------|
| Carriage | Aluminium |
| Wheel | POM, SS 304 |

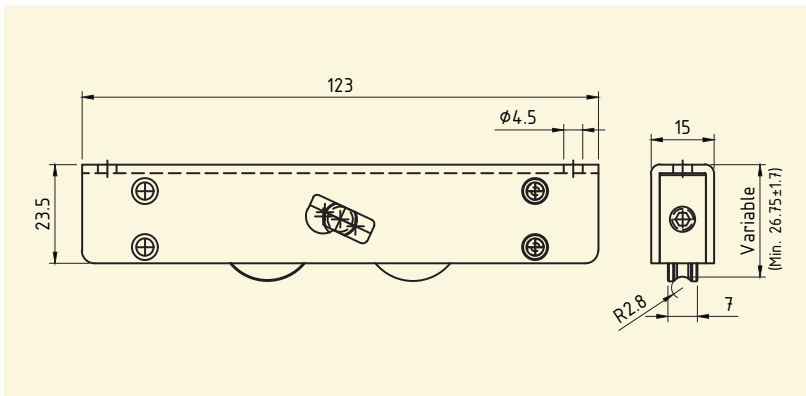
MAXIMUM LOAD CAPACITY

| | |
|--|---------------------|
| | 300 kg. / 2 rollers |
|--|---------------------|

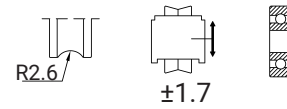
Packaging: 250 pcs/box

Sliding Roller Assemblies >> Customized Rollers

KRO-32-SP I Adjustable Double Wheel Roller



FEATURES



MATERIAL

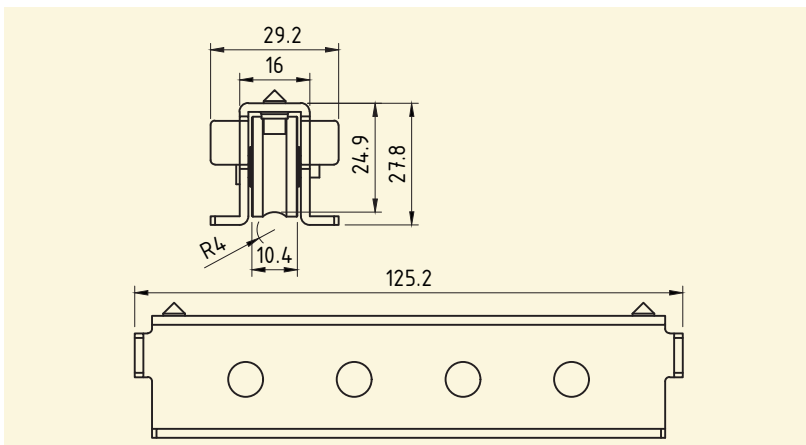
| | |
|----------|--------|
| Carriage | SS 304 |
| Wheel | POM |

MAXIMUM LOAD CAPACITY

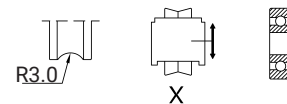
| | |
|--|---------------------|
| | 200 kg. / 2 rollers |
|--|---------------------|

Packaging: 250 pcs/box

KRO-46 I Fixed Four Wheel Roller



FEATURES



MATERIAL

| | |
|----------|--------|
| Carriage | SS 304 |
| Wheel | SS 304 |

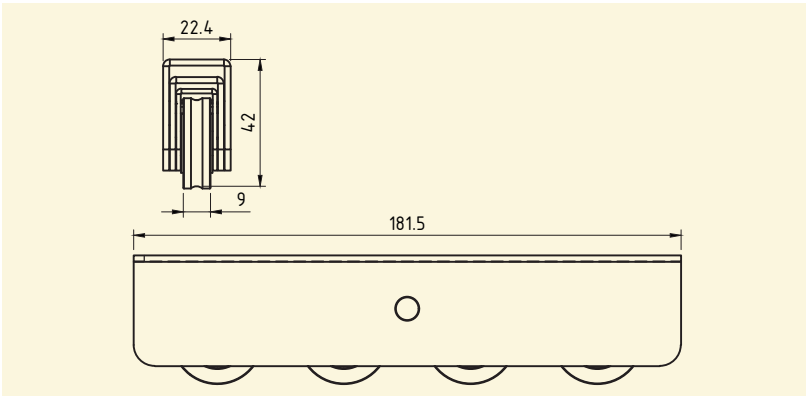
MAXIMUM LOAD CAPACITY

| | |
|--|---------------------|
| | 600 kg. / 2 rollers |
|--|---------------------|

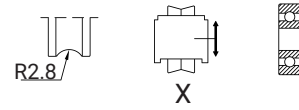
Packaging: 250 pcs/box

Sliding Roller Assemblies >> Customized Rollers

KRO-57 | Self Balancing Fixed Four Wheel Roller



FEATURES



MATERIAL

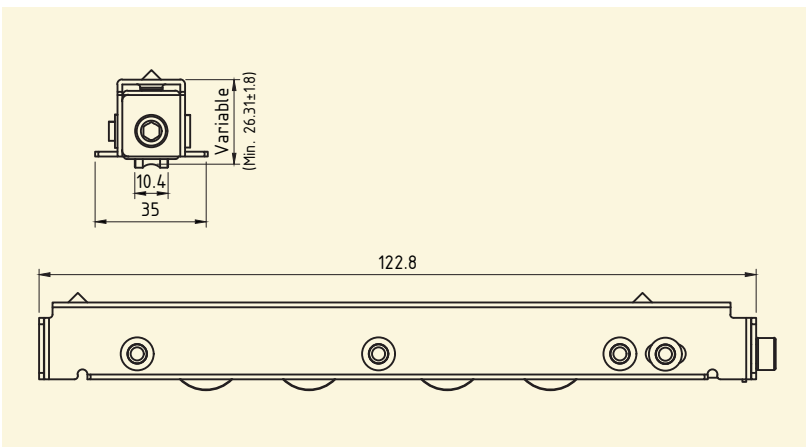
| | |
|----------|-------------|
| Carriage | SS 304 |
| Wheel | POM, SS 304 |

MAXIMUM LOAD CAPACITY

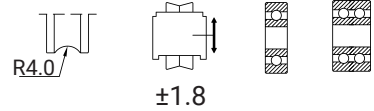


Packaging: 250 pcs/box

KRO-42 | Adjustable Four Wheel Roller



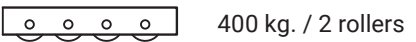
FEATURES



MATERIAL

| | |
|----------|--------|
| Carriage | SS 304 |
| Wheel | POM |

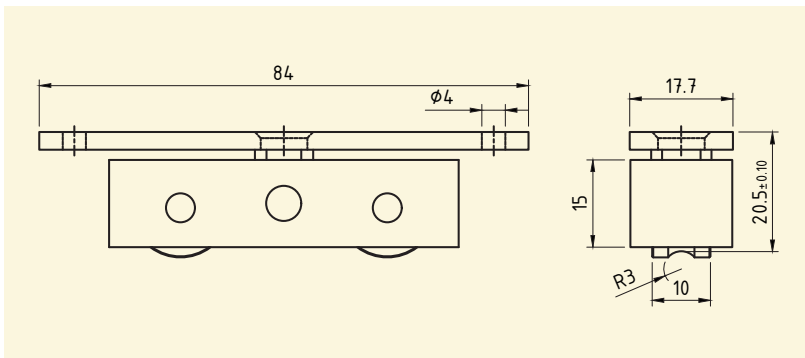
MAXIMUM LOAD CAPACITY



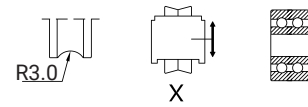
Packaging: 250 pcs/box

Sliding Roller Assemblies >> Slimline Minimal System Rollers

KRO-49 | Self Balancing Fixed Double Wheel Roller



FEATURES



MATERIAL

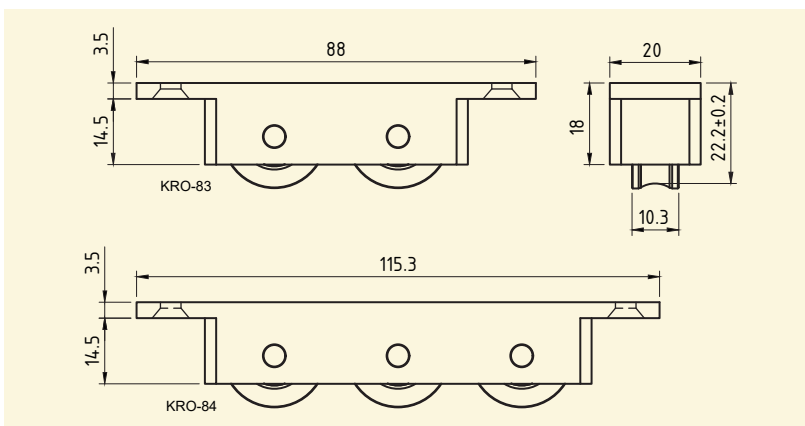
| | |
|----------|----|
| Carriage | AL |
| Wheel | SS |

MAXIMUM LOAD CAPACITY

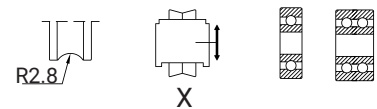
| | |
|---|---------------------|
|  | 400 kg. / 2 rollers |
|---|---------------------|

Packaging: 100 pcs/box

KRO-83/84 | Fixed Double/Three Wheel Roller





FEATURES



MATERIAL

| | |
|----------|------------|
| Carriage | AL |
| Wheel | POM, SS304 |

MAXIMUM LOAD CAPACITY

| | |
|---|---------------------|
|  | 200 kg. / 2 rollers |
|  | 300 kg. / 2 rollers |

Packaging: 250 pcs/box

Sliding Roller Assemblies >> SS U-Rails

KRAIL-01/02/03

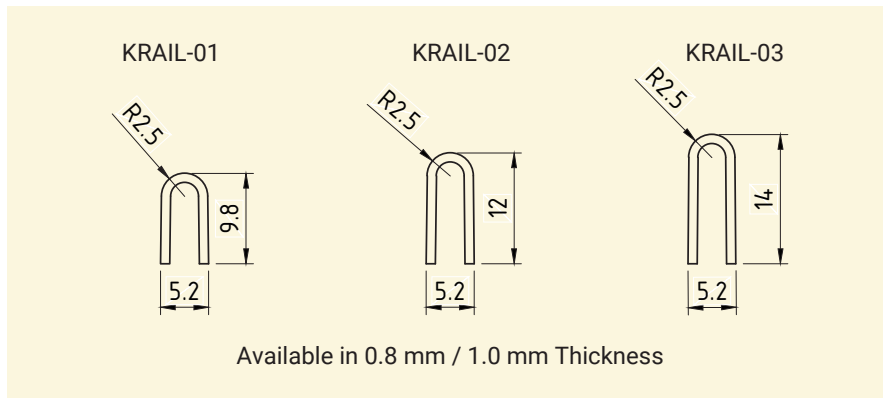


MATERIAL

SS 304, SS 316L

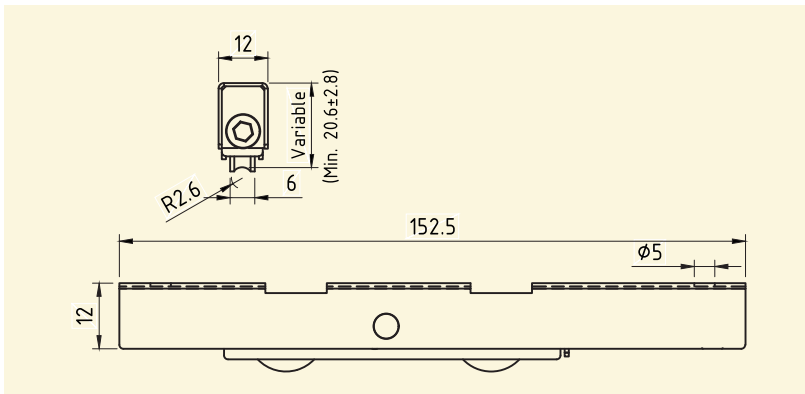
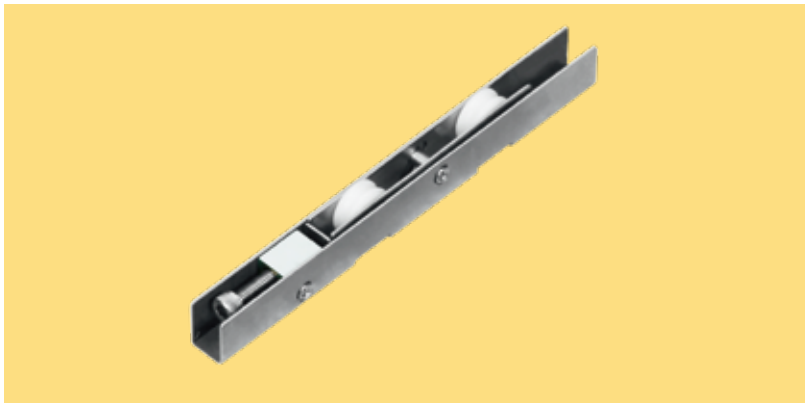
Standard Unit Length: 5 mtrs

Packaging: 50 pcs/box

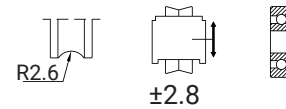


Sliding Roller Assemblies >> uPVC System Sliding Rollers

KRO-12-V1 | Adjustable Double Wheel Roller



FEATURES



MATERIAL

Carriage GI, SS 304

Wheel POM


PRODUCT CODE

KRO-12-V1 Carbon Steel HSG with Polymer Wheel

KRO-12-V1 SS HSG with Polymer Wheel

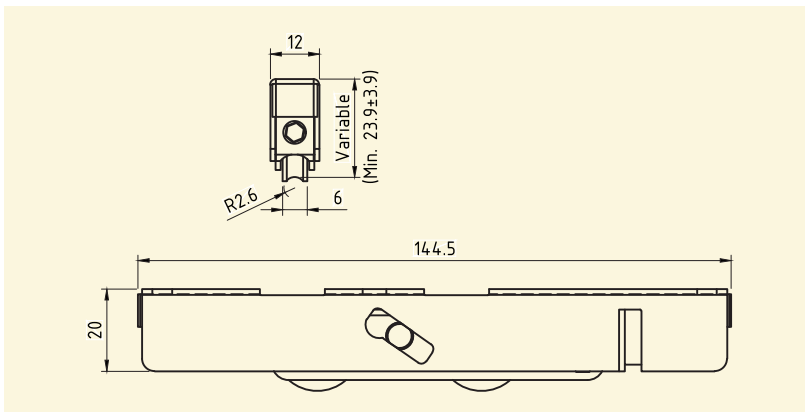
KRO-12-V1 SS HSG with SS Wheel

MAXIMUM LOAD CAPACITY

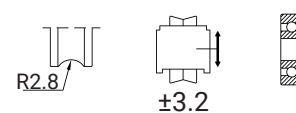
 100 kg. / 2 rollers

Packaging: 250 pcs/box

KRO-12-SP | Adjustable Double Wheel Roller



FEATURES



MATERIAL

Carriage GI, SS 304

Wheel POM, SS 304


PRODUCT CODE

KRO-12-SP Carbon Steel HSG with Polymer Wheel

KRO-12-SP SS HSG with Polymer Wheel

KRO-12-SP SS HSG with SS Wheel

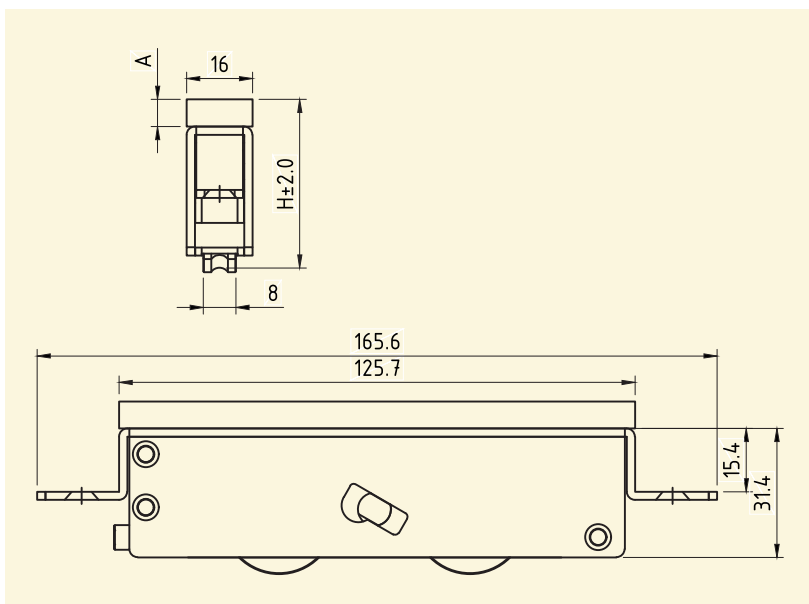
MAXIMUM LOAD CAPACITY

 100 kg. / 2 rollers

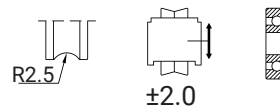
Packaging: 250 pcs/box

Sliding Roller Assemblies >> uPVC System Sliding Rollers

KRO-32 I Adjustable Double Wheel Roller



FEATURES



MATERIAL

Carriage SS 304

Wheel POM

PRODUCT DETAILS

| PRODUCT CODE | A | H |
|--------------|------|------|
| KRO-32 | - | 34.5 |
| KRO-32-SP1 | 6.6 | 41.1 |
| KRO-32-SP2 | 10.0 | 44.5 |
| KRO-32-SP3 | 20.0 | 54.5 |
| KRO-32-SP4 | 14.0 | 48.5 |
| KRO-32-SP5 | 2.0 | 36.5 |
| KRO-32-SP6 | 16.0 | 50.5 |
| KRO-32-SP7 | 12.0 | 46.5 |
| KRO-32-SP8 | 8.0 | 42.5 |

MAXIMUM LOAD CAPACITY

 200 kg. / 2 rollers

Custom size spacer options available to suit various uPVC profile systems

Packaging: 250 pcs/box