



Butt Hinges

A muscular range of hardware with load capacity ranging from 75kgs to 160kgs.



Range

1. 40mm Casement Series
2. Type-1 Eurogroove Casement Series
3. Type-7 Eurogroove Casement Series

Butt Hinges

KHNG-03 | Butt Hinge



FUNCTION

RH/LH reversible hinge for aluminium overlapped profiles of doors and windows. It featured with the reliability and precision, and is fitted to the frames extremely quickly, even if the frames have already been assembled.

FINISH

Natural, Powder coated, Anodized

PARTS WITH MATERIAL SPECIFICATION

Extruded aluminium: Hinge Frame and Sash Parts;
Stainless Steel: Pivot Pin, Screws (M5 x 10) and Plates;
Polyamide: Pivot Pin Bushes.

CAPACITIES

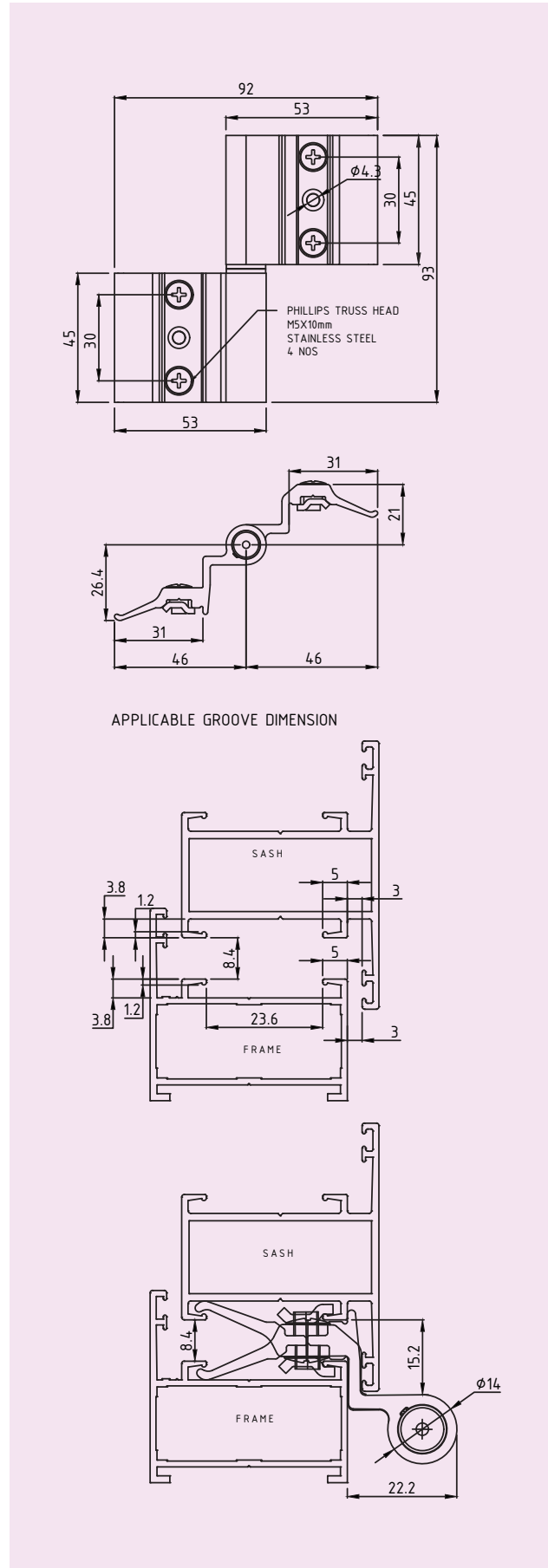
With 2 Hinges: 75 kg;
With 3 Hinges: 85 kg
for WxH 1000 x 2000 mm size of the door/window.

TECHNICAL FEATURES

- Flash base hinges are supplied ready assembled and featured with quick fixing system using aluminium frame and sash grooves.
- RH and LH reversible.
- Special shape of the hinge and fixing plates made for practical and quick installation on pre-assembled frames and ensures that the hinge remains correctly positioned while the screws are tightened.

Packaging: 100 pcs/box

© All images are copyright of Kelegent® C/O Shree Mahavir Metal Industries



All dimensions above are in mm

Butt Hinges

KHNG-03A | Butt Hinge



FUNCTION

RH/LH reversible hinge for aluminium overlapped profiles of doors and windows. It featured with the reliability and precision, and is fitted to the frames extremely quickly, even if the frames have already been assembled.

FINISH

Natural, Powder coated, Anodized

PARTS WITH MATERIAL SPECIFICATION

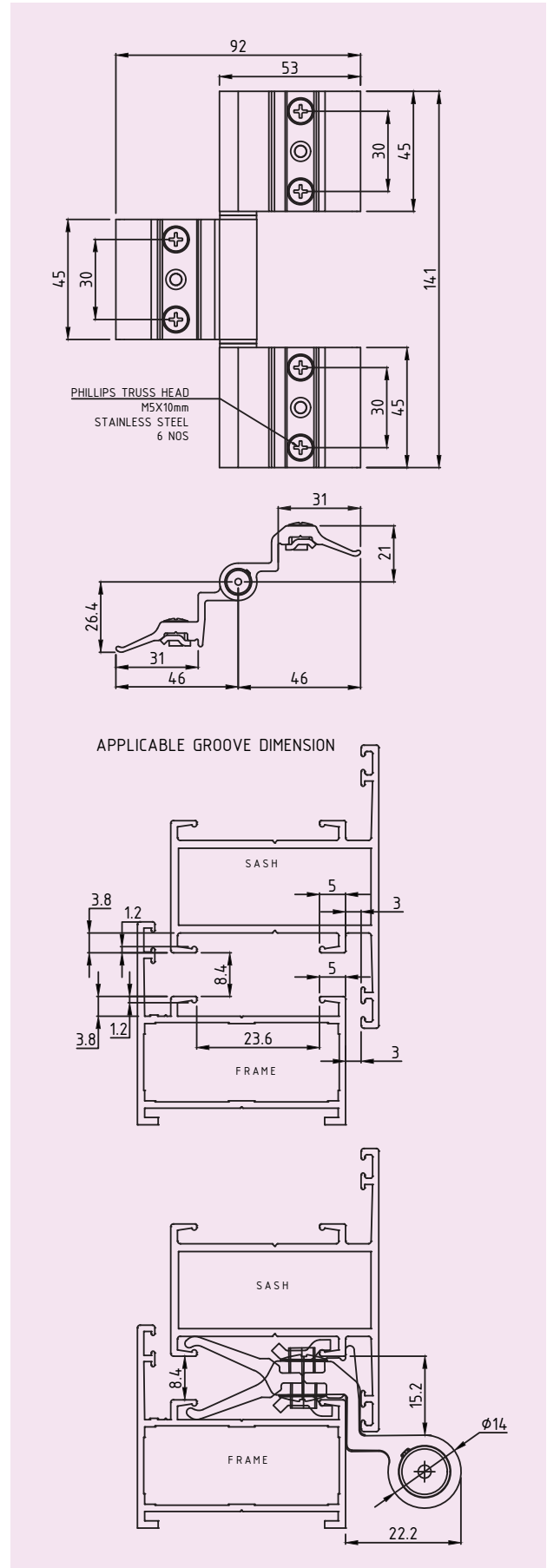
Extruded aluminium: Hinge Frame and Sash Parts;
Stainless Steel: Pivot Pin, Screws (M5 x 10) and
Plates; Polyamide: Pivot Pin Bushes.

CAPACITIES

With 2 Hinges: 90 kg;
With 3 Hinges: 100 kg
for WxH 1000 x 2000 mm size of the door/window.

TECHNICAL FEATURES

- Flash base hinges are supplied ready assembled and featured with quick fixing system using aluminium frame and sash grooves.
- RH and LH reversible.
- Special shape of the hinge and fixing plates made for practical and quick installation on pre-assembled frames and ensures that the hinge remains correctly positioned while the screws are tightened.



Packaging: 100 pcs/box

© All images are copyright of Kelegent® C/O Shree Mahavir Metal Industries

All dimensions above are in mm

Butt Hinges

KHNG-05 | Butt Hinge



FUNCTION

RH/LH reversible hinge for aluminium overlapped profiles of doors and windows. It featured with the reliability and precision, and is fitted to the frames extremely quickly, even if the frames have already been assembled.

FINISH

Natural, Powder coated, Anodized

PARTS WITH MATERIAL SPECIFICATION

Extruded aluminium: Hinge Frame and Sash Parts;
Stainless Steel: Pivot Pin, Screws (M5 x 10) and Plates;
Black: Pivot Pin Bushes.

CAPACITIES

With 2 Hinges: 75 kg

With 3 Hinges: 85 kg

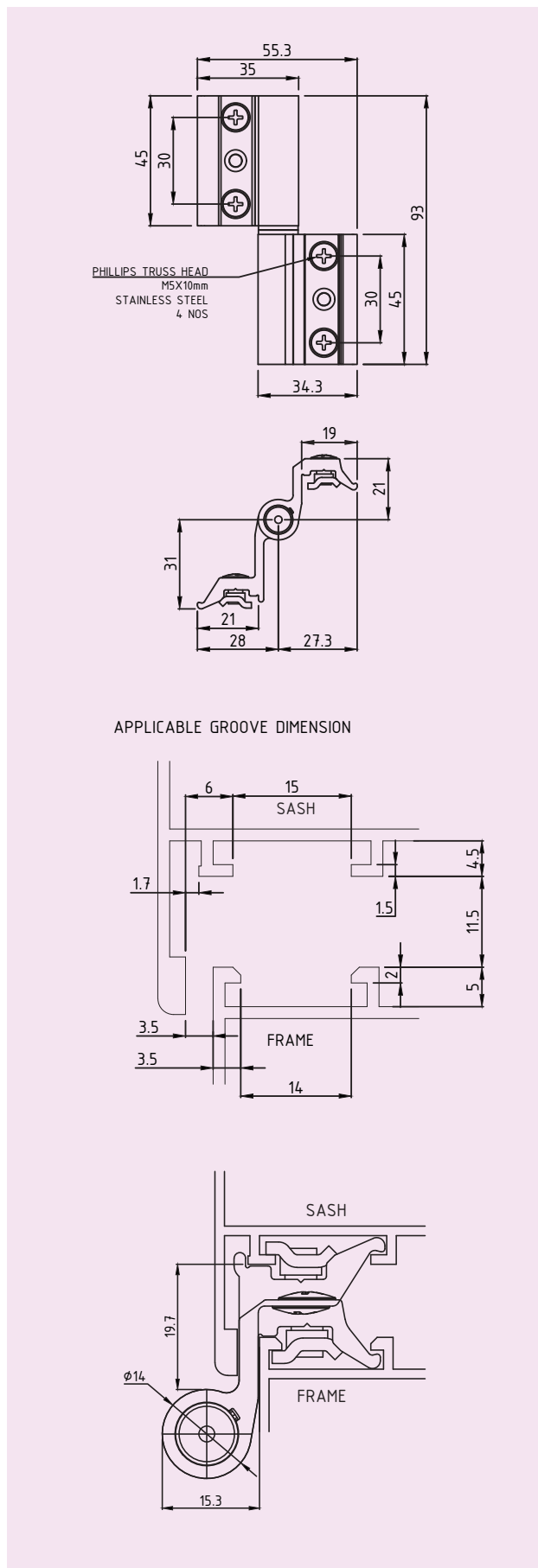
For WxH 1000x2000 mm size of the door/window.

TECHNICAL FEATURES

- Flash base hinges are supplied ready assembled and featured with quick fixing system using aluminium frame and sash grooves.
- RH and LH reversible.
- Special shape of the hinge and fixing plates made for practical and quick installation on pre-assembled frames and ensures that the hinge remains correctly positioned while the screws are tightened.

Packaging: 100 pcs/box

© All images are copyright of Kelegent® C/O Shree Mahavir Metal Industries



All dimensions above are in mm

Butt Hinges

KHNG-05B | Butt Hinge



FUNCTION

RH/LH reversible hinge for aluminium overlapped profiles of doors and windows. It featured with the reliability and precision, and is fitted to the frames extremely quickly, even if the frames have already been assembled.

FINISH

Natural, Powder coated, Anodized

PARTS WITH MATERIAL SPECIFICATION

Extruded aluminium: Hinge Frame and Sash Parts;
Stainless Steel: Pivot Pin, Screws (M5 x 10) and Plates; Black: Pivot Pin Bushes.

CAPACITIES

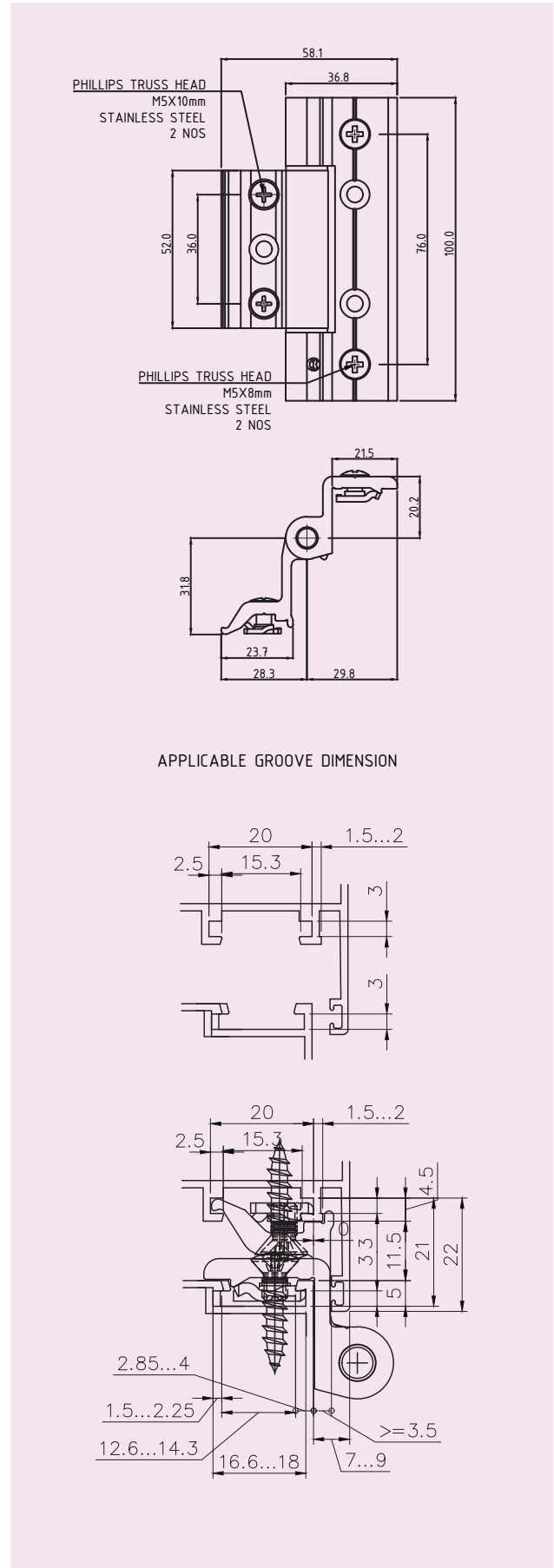
With 2 Hinges: 90 kg

With 3 Hinges: 100 kg

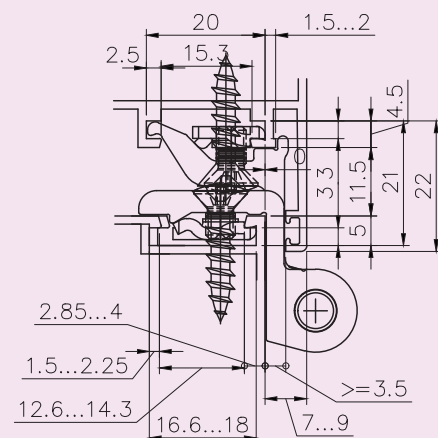
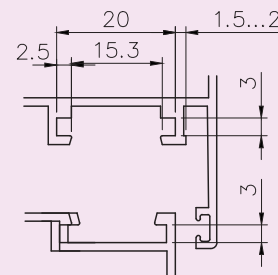
For WxH 1000x2000 mm size of the door/window.

TECHNICAL FEATURES

- Flash base hinges are supplied ready assembled and featured with quick fixing system using aluminium frame and sash grooves.
- RH and LH reversible.
- Special shape of the hinge and fixing plates made for practical and quick installation on pre-assembled frames and ensures that the hinge remains correctly positioned while the screws are tightened.



APPLICABLE GROOVE DIMENSION



Packaging: 100 pcs/box

Butt Hinges

KHNG-06 | Butt Hinge



FUNCTION

RH/LH reversible hinge for aluminium overlapped profiles of doors and windows. It featured with the reliability and precision and is fitted to the frames extremely quickly.

FINISH

Natural, Anodized, RAL powder coated.

PARTS WITH MATERIAL SPECIFICATION

Extruded aluminium: Hinge Frame and Sash Parts, Fixing Plates; Stainless Steel: Pivot Pin, Screws; Black nylon: Pivot Pin Bushes.

CAPACITIES

With 2 Hinges: 75 kg

With 3 Hinges: 85 kg

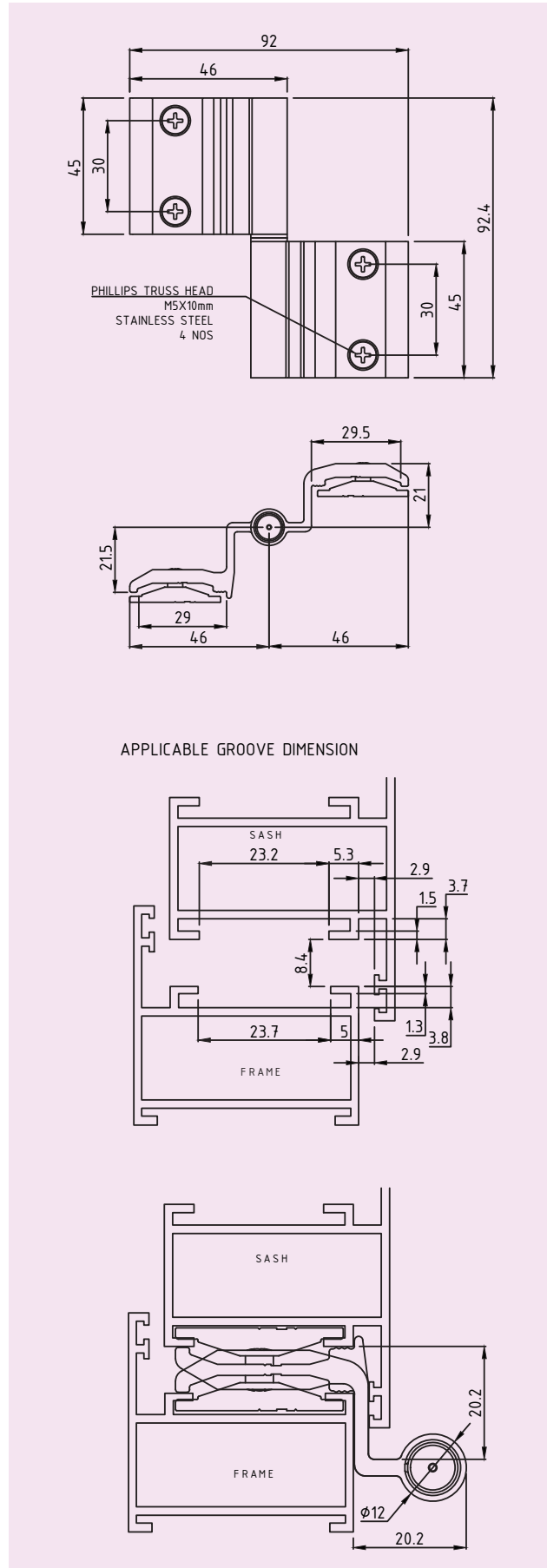
For WxH 1000x2000 mm size of the door/window.

TECHNICAL FEATURES

- Flash base hinges are supplied ready assembled and featured with quick fixing system using aluminium frame and sash grooves.
- RH and LH reversible.
- Aluminium extruded fixing plates to be slid inside the grooves before assembling of the frames, or part of the groove to be machined for fixing plates access.
- Special shape of the hinge and fixing plates made for practical and quick installation on frames and ensures that the hinge remains correctly positioned while the screws are tightened.

Packaging: 100 pcs/box

© All images are copyright of Kelegent® C/O Shree Mahavir Metal Industries



All dimensions above are in mm

Butt Hinges

KHNG-07 | Butt Hinge



FUNCTION

RH/LH reversible hinge for aluminium overlapped profiles of doors and windows. It featured with the reliability and precision, and is fitted to the frames extremely quickly, even if the frames have already been assembled.

FINISH

Natural, Anodized, RAL powder coated.

PARTS WITH MATERIAL SPECIFICATION

Extruded aluminium: Hinge Frame and Sash Parts;
Stainless Steel: Pivot Pin, Screws (M5 x 10) and Plates;
Black: Pivot Pin Bushes.

CAPACITIES

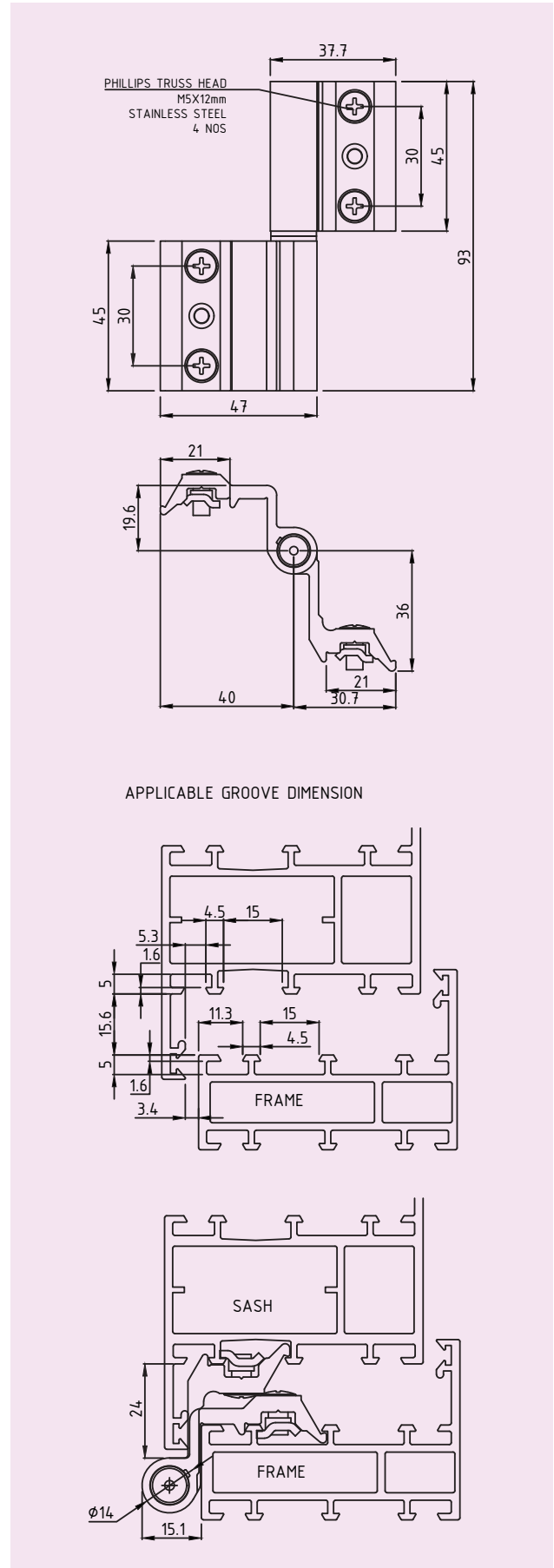
With 2 Hinges: 75 kg

With 3 Hinges: 85 kg

For WxH 1000x2000 mm size of the door/window.

TECHNICAL FEATURES

- Flash base hinges are supplied ready assembled and featured with quick fixing system using aluminium frame and sash grooves.
- RH and LH reversible.
- Special shape of the hinge and fixing plates made for practical and quick installation on pre-assembled frames and ensures that the hinge remains correctly positioned while the screws are tightened.



Packaging: 100 pcs/box

© All images are copyright of Kelegent® C/O Shree Mahavir Metal Industries

All dimensions above are in mm

Butt Hinges

KHNG-09 | Butt Hinge



FUNCTION

RH/LH reversible hinge for aluminium overlapped profiles of doors and windows. It featured with the reliability and precision, and is fitted to the frames extremely quickly, even if the frames have already been assembled.

FINISH

Natural, Anodized, RAL powder coated.

PARTS WITH MATERIAL SPECIFICATION

Extruded aluminium: Hinge Frame and Sash Parts;
Stainless Steel: Pivot Pin, Screws (M5 x 10) and Plates;
Black: Pivot Pin Bushes.

CAPACITIES

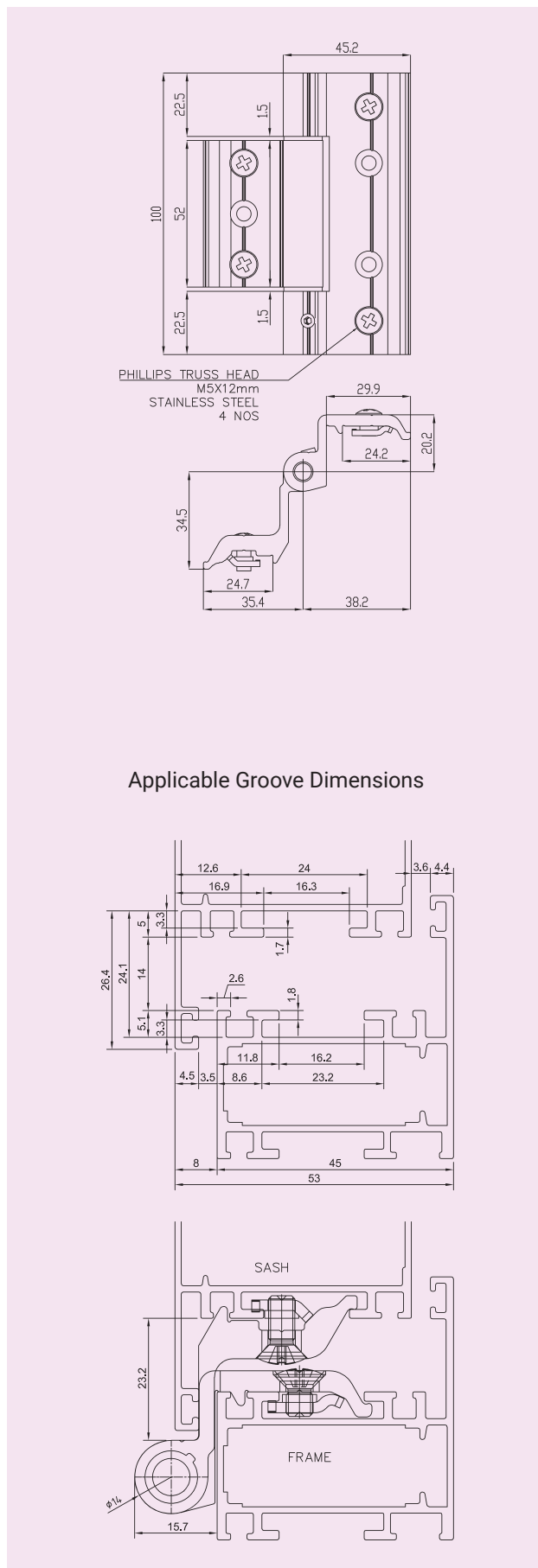
With 2 Hinges: 90 kg
With 3 Hinges: 100 kg
For WxH 1000x2000 mm size of the door/window.

TECHNICAL FEATURES

- Flash base hinges are supplied ready assembled and featured with quick fixing system using aluminium frame and sash grooves.
- RH and LH reversible.
- Special shape of the hinge and fixing plates made for practical and quick installation on pre-assembled frames and ensures that the hinge remains correctly positioned while the screws are tightened.

Packaging: 100 pcs/box

© All images are copyright of Kelegent® C/O Shree Mahavir Metal Industries



Applicable Groove Dimensions

All dimensions above are in mm

Butt Hinges

7100/s | Butt Hinge



FUNCTION

RH/LH reversible hinge for aluminum overlapped profiles of medium duty doors and windows. It is featured with the reliability and precision, and is fitted to the frames extremely quickly.

FINISH

Natural, anodized, RAL powder coated.

PARTS WITH MATERIAL SPECIFICATION

Extruded aluminum: hinge frame and sash parts, fixing plates; Stainless steel: pivot pin, screws; Black Nylon: bushes.

CAPACITIES

With 2 Hinges: 120 kg

With 3 Hinges: 130 kg

For WxH 1000x2000 mm size of the door/window.

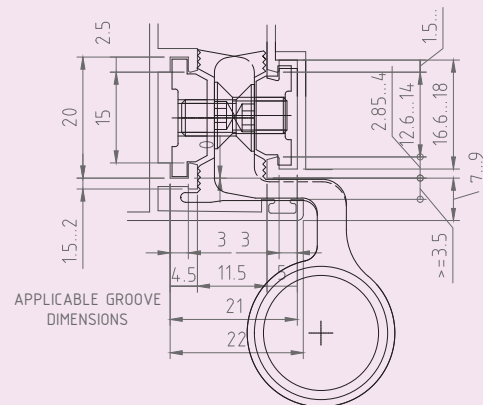
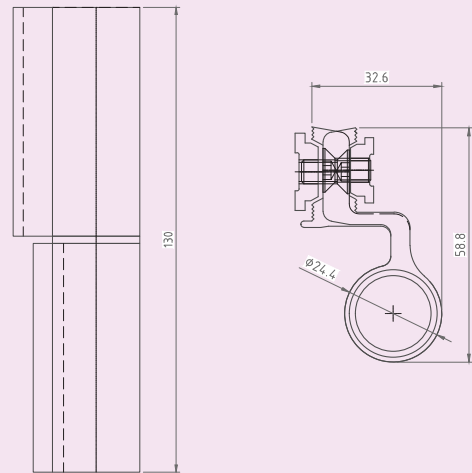
TECHNICAL FEATURES

- Hinges are supplied ready assembled and featured with quick fixing system using aluminum frame and sash grooves.
- RH and LH reversible.
- Aluminum extruded fixing plates to be slide inside the grooves before assembling of the frames, or part of the groove to be machined for fixing plates access.
- Special shape of the hinge and fixing plates made for practical and quick installation on frames and ensures that the hinge remains correctly positioned while the screws are tightened (torque ≥ 2 Nm).

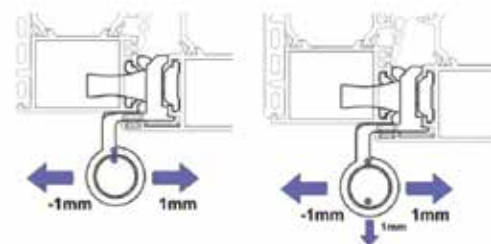
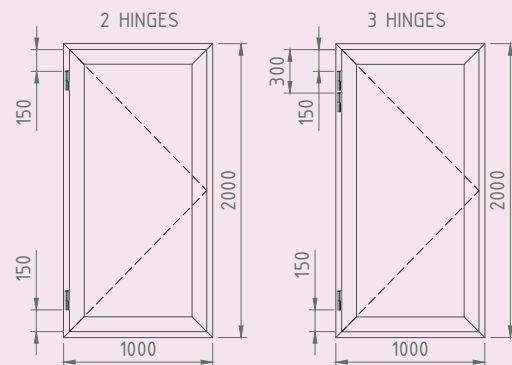
Packaging: 6 nos.

© All images are copyright of Kelegent® C/O Shree Mahavir Metal Industries

HINGE DIMENSIONS



HINGE APPLICATION



All dimensions above are in mm